



Keylex Digital Locks

Including Biometric & PIN Technologies

Underclass	EPIC
L418;N544	D18;Y482
CI/SIB	
(31.59) X	(L47)

for Specifiers, End Users & Door Hardware Specialists



Introducing the NEW
REL.RB3000 Series
Biometric and PIN Technologies



REL.K700 -

Model Prepared for European Style Cylinder Lock Cases

Use the **Keylex 700** on all standard duty, high security external door installations and on any door where a flexible Euro profile key system is required. Always choose the **REL.K2100K** option for military, police and fire service installations.

The narrow stile **Keylex 700** design, with its built-in clutch mechanism protecting the lock furniture, will suit all stile widths down to 45mm and is particularly suited for use on aluminium and hollow metal door sections.

The **Keylex 700** can be expected to give many years' service if specified and maintained correctly.

Standard Features & Benefits

- **Standard duty mechanism** -
Allows many hundreds of operations per day
- **Entirely mechanical operation** -
No electronics or electrical wiring involved
- **Allows code combinations of up to 12 buttons** -
Over 4,000 selectable code permutations (recommended 3 to 6 digit codes)
- **Code scramble** -
Allows all codes to be entered in any order
- **Slipping clutch mechanism** -
Nullifies forced attack or vandalism from the outside
- **Brushed stainless steel buttons** -
Will not indicate usage
- **Free exit** -
Provides escape from the inside, without code entry, regardless of the lock status

Sash Lock Function

This function utilizes a standard sash lock that locks the door on the latch every time the door closes.

An authorized code is required to override the latch from the outside unless the 'optional' passage function is set to 'free' or unless the key override facility is used; in which case the key will override any pre-set code.

Similarly the key will override the deadbolt and the latch in sequence if the dead bolt is thrown. The door is always 'free from fixings' for immediate egress from the inside if a cylinder & turn combination is used to control the deadbolt.

See also **Important Note** on page 7.



Suitability

The **Keylex 700** lock body and internal mechanism construction is cast zinc and solid brass with stainless steel code buttons and is suitable for use on external perimeter doors & all internal doors -

Timber
Aluminium
Steel
PVCu (See **REL.K700M** for Multi-Point Version - pages 8 & 9)
Composite

The **Keylex 700** suits door thicknesses between 30mm and 50mm standard. Please advise all door thicknesses in excess of 50mm.

The **Keylex 700** suits clear stile widths of 70mm when used with the standard sash lock with a backset length of 50mm. This reduces to a minimum stile width of 45mm when used with the optional sash lock with a 25mm backset length.

NB - Stop depths may restrict suitability.

Night Latch Function

A cylinder night latch function can be used where security levels are not paramount. This option locks the door on the latch every time the door closes but does not offer a dead bolt back up.



REL.9412.1.60
Euro Profile Night Latch
w. 60mm Backset

An authorized code is required to override the latch from the outside unless the 'optional' passage function is set to 'free' or unless the key override facility is used in which case the key will override any pre-set code. The door is always 'free from fixings' for immediate egress from the inside via the lever.

See also **Important Note** on page 7.

Application Restriction

Do not use this product on military, police, fire service and other installations where heavy handed use/abuse can be expected. Specify **REL.K2100** series.

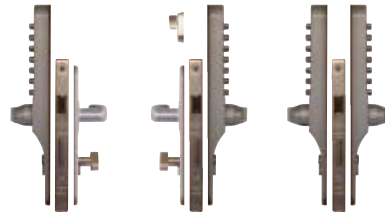
Some manufacturers' lock cases are very heavily sprung and will exert extreme forces at the lever mounting assembly, occasionally resulting in failure. Wherever possible this scenario should be avoided. Please choose your lock case with care. The inclusion of incompatible lock cases will void any warranty. If in doubt, please consult the sales office.



REL.9414
Euro Profile
Sash Lock
w. 60mm Backset

Optional Features & Benefits

- **Passage function** - Allows free passage from both sides at code users' discretion
- **Key override** - Allows key holder access in all instances without prior knowledge of the user code - assumes standard sash lock operation. Escutcheons are prepared as standard to suit Euro profile cylinders with oval cylinder preparation to special order
- **Rebate kits** - Two part rebate kits are available for rebates @ 12.5mm and 25mm with certain sash lock or night latch choices (refer to the sales office)
- **Extended door kits** - Factory fitted modifications including extended fixings, spindles and free passage turns to suit doors up to 75mm thick
- **Back-to-back** - A factory modification offering bi-directional coded access control



REL.K700
Standard model with sash lock 50mm backset - showing Euro profile cylinder & turn

REL.K700FP
Version with passage function & optional narrow stile sash lock case 25/30/35/40/45mm backset - showing Euro profile cylinder & turn

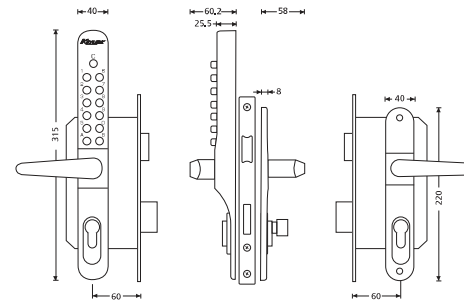
REL.K700B
Back-to-back option with sash lock 50mm backset - showing Euro profile double cylinder

How to Specify or Order

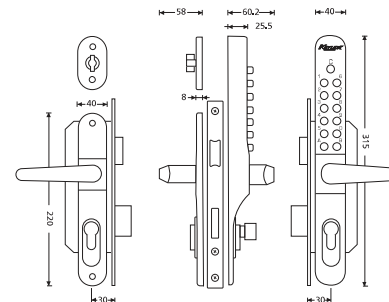
Part #	Description
REL.K700	Mechanical Digital Lock w. Levers Both Sides (less lock case)
REL.K700FP	Mechanical Digital Lock w. Free Passage & Levers Both Sides (less lock case)
Suffix.70-72	Escutcheon Set for Cylinder Lock Cases w. 70-72mm Centres
Suffix.90-92	Escutcheon Set for Cylinder Lock Cases w. 90-92mm Centres
Suffix.BLANK	Escutcheon Set for Installations Without Cylinders
REL.LOCKCASE.50MM	Euro Profile Cylinder Sash Lock w. 70-72mm Centres, 50mm Backset
REL.LOCKCASE(*MM)	Euro Profile Cylinder Sash Lock w. 92mm Centres, 25/30/35/40/45mm Backset

Critical Dimensions

REL.K700 Model prepared for Sash Lock Case 50mm Backset



REL.K700FP Option with Passage Function* prepared for Narrow Stile Sash Lock Case 25/30/35/40/45mm Backset



* Passage function is available for use with any suitable lock case including the version described at the top of this column.



Important Note

All Keylex 700 models are supplied complete with outside lock body, inside lever furniture on back plate and escutcheons (x2) - but less the lock case. Lock cases must be ordered separately.

Cylinders are not supplied unless specifically requested.

Finishes

- SC - Silver with Stainless Steel Buttons
- DB - Dark Bronze with Stainless Steel Buttons
- NP - Nickel Plate Forend & Strike (all lock cases)

REL.K700M -

Model Prepared for Multi-Point Locks

Use the **Keylex 700M** on all residential external door installations where a conventional multi-point lock is to be used. The narrow stile **Keylex 700M** design, with its built-in clutch mechanism protecting the lock furniture, is particularly suited for use on PVCu, aluminium and hollow metal door sections.

Clear stile widths will dictate the suitability of the chosen lock case when combined with the **Keylex 700M** narrow stile lock body.

The **Keylex 700M** can be expected to give many years' service if specified and maintained correctly.

Standard Features & Benefits

- **Standard duty mechanism -**
Allows many hundreds of operations per day
- **Entirely mechanical operation -**
No electronics or electrical wiring involved
- **Allows code combinations of up to 12 buttons -**
Over 4,000 selectable code permutations (recommended 3 to 6 digit codes)
- **Code scramble -**
Allows all codes to be entered in any order
- **Slipping clutch mechanism -**
Nullifies forced attack or vandalism from the outside
- **Brushed stainless steel buttons -**
Will not indicate usage
- **Key override -**
Allows key holder access in all instances without prior knowledge of the user code - assumes Multi-Point nightlatch mode (see opposite).
Escutcheons are prepared as standard to suit Euro profile cylinders with alternative cylinder style preparation to special order

Optional Features & Benefits

- **Extended door kits -**
Factory fitted modifications including extended fixings, spindles and free passage turns to suit doors up to 75mm thick

Application Restriction

Do not use this product on military, police, fire service and other installations where heavy handed use/abuse can be expected. Specify **REL.K2100** series.

Suitability

The **Keylex 700M** lock body and internal mechanism construction is cast zinc and solid brass with stainless steel code buttons and is suitable for use on external perimeter doors & all internal doors -

Timber
Aluminium
Steel
PVCu
Composite

The **Keylex 700M** suits door thicknesses between 30mm and 50mm standard. Please advise all door thicknesses in excess of 50mm.

The **Keylex 700M** suits minimum clear stile widths of 50mm when used with a standard multi-point lock with a backset length of 30mm.

NB - Stop depths may restrict suitability.

Multi-Point Lock Function

1. Nightlatch Mode

The door is locked on the latch only (i.e. bolts not thrown).
The inside lever is always operable for egress.
The outside lever is locked and can be overridden by the code or by the key.

2. Deadbolt Mode

Bolts cannot be thrown without first lifting the lever inside or outside. The outside lever cannot be lifted without first entering a valid code. The inside lever is always operable for egress (but see also double locking below). The outside lever is only operable after entry of an authorized code. The key will not override a locked door whilst the bolts are shot.

The bolt can be double locked by a turn of the key or the thumb turn - in which case this action must be reversed before the code will operate the lock. This can be achieved either via the key from the outside or a turn from the inside.



Important Note

All **Keylex 700M** models are supplied complete with outside lock body, inside lever furniture on back plate and escutcheons (x2)
- but less the Multi-Point lock case. All lock cases must be ordered separately.

Cylinders are not supplied unless specifically requested.



Multi-Point Locks -

Compatibility with the REL.K700M

Multi-Point locks are used widely in both commercial and residential situations and offer increased security over conventional rim or mortice locks when used with a suitably high specification Euro profile cylinder or 5 lever system. Just about every PVCu residential door installation employs a Multi-Point lock of one type or another - a deterrent to most casual burglars.

The introduction of a **Keylex 700M** mechanical digital lock to a door locked via a Multi-Point device actually enhances the security of that door. The 'passage function' of the lock, a standard feature of all Multi-Point locks, is automatically converted to a night latch function since, by default, the external lever can only be operated after entry of a valid code.

Multi-Point locks are available in the U.K. from a very wide range of different manufacturers, with available options too numerous to list in this brochure. However, some basic principles do apply and these are listed below.

Spindles & Followers

The **Keylex 700M** is supplied with a 7mm square spindle (and 8mm converter) and suits all Multi-Point lock followers accepting these sizes 'on the square'.

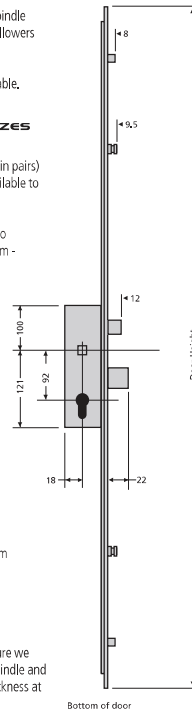
Split spindles for escape lock situations are not available.

Lock Centres & Lock Case Sizes

Euro profile escutcheons are prepared and supplied (in pairs) to suit locks with 92mm centres. Alternatives are available to special order and include oval and 5 lever profiles.

Most lock case sizes are accommodated since the two **Keylex 700M** mounting pillars are spaced @ 290mm - split 160mm/130mm about the spindle.

This drawing illustrates a typical product in the locked position. The positions of the mushrooms and rollers will vary.



Backset Lengths

The narrow stile **Keylex 700M** body easily allows installations with backset lengths down to 30mm - with no upper limit.

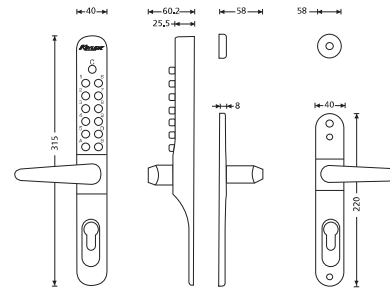
Backset lengths usually vary between 30mm to 45mm in 5mm increments.

Door Thicknesses

Often, PVCu door profiles can exceed 50mm. To ensure we provide the **Keylex 700M** with a sufficiently long spindle and fixings pack it is essential that we know the door thickness at the order placement stage.

Critical Dimensions

REL.K700M Model Prepared for Multi-Point Lock



Cylinder Choice

It is generally accepted that Euro profile cylinders are the most vulnerable part of the installation and are at risk from tools such as drills, pliers, hammers and other lock-forcing implements.

It is paramount, where security is the main consideration, that cylinders offering Grade 2 attack resistance (per EN 1303:2005) are specified. Grade 2 is the highest grade available and ensures resistance against:

- Pushing (protection via the cylinder cam)
- Drilling
- Picking
- Snapping (or Pulling)
- Bumping

Relcross can specify cylinders for all situations and requirements, including suited systems, all with EN 1303:2005 certification.

How to Specify or Order

Part #	Description
REL.K700M.92	Mechanical Digital Lock w. Levers Both Sides (less lock case)

Finishes

- SC - Silver with Stainless Steel Buttons
- DB - Dark Bronze with Stainless Steel Buttons

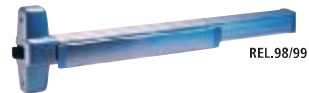
REL.K2100 & REL.K700
Access Control at Escape Doors -
Basic Principles

Where coded access control is a requirement at escape doors, the introduction of a mechanical digital lock offers an affordable solution.

In these situations authorized users, in possession of a common code, have the facility to open the door from the outside without the use of a key. Locks are prepared accordingly to provide a means of override to just about any escape device.

REL.K2100 with Von Duprin
22 & 98/99 Touchbar Range

Use the **Keylex 2100** on all escape door installations where heavy traffic or extreme use and abuse can be expected. The proven design, with its built-in slipping clutch mechanism, will withstand all but the most violent attacks and can be expected to give many years service if specified and maintained correctly.



REL.98/99

Compatibility & Certification

The standard conversion allows use with both the **REL.22** Series and the **REL.98/99** Series of escape devices. It is recommended that operation is restricted to the rim exit device application when using the **REL.K2100K** knob version. The lever version **REL.K2100L** should be used with the surface mounted vertical rod and three point latching device options.

See page 20 for information on EC Certificate of Conformity relating to the use of Keylex Mechanical Digital Locks with Von Duprin Escape Hardware.

REL.K700 with Von Duprin
22 & 98/99 Touchbar Range

Use the **Keylex 700** on all standard duty, high security escape door installations. The 'narrow stile' design, with its built-in slipping clutch mechanism, will suit all stile widths down to 43mm* and is particularly suited for use with aluminium or hollow metal sections.

*However, it should be borne in mind that the centre case size of the escape hardware used will also influence the minimum stile width.



REL.22

Compatibility & Certification

The standard conversion allows use with both the **REL.22** Series and the **REL.98/99** Series of escape devices. The standard lever operation lends itself to use with rim exit devices (single latch operation), surface mounted vertical rod and multi point latching escape device options.

See page 20 for information on EC Certificate of Conformity relating to the use of Keylex Mechanical Digital Locks with Von Duprin Escape Hardware.

Keylex with Briton 560 Push Bar
& 570 Touch Bar Range

Conveniently, the **REL.K700** drives both the **560** Push Bar series & **570** Touch Bar series of devices without any modification to the orientation or size of the spindle.



560 Series

These devices are modular panic exit solutions offering a combination of security and safety. The basic device is a single point locking push bar or touch bar. Additional modular locking kits mean these units offer increased flexibility and adaptability to suit individual requirements.



570 Series

Combination with the **Keylex 700** mechanical locking trim provides a secure trim with a strong lever operation, capable of retracting multi point 'Pullman' type latches.

How to specify or order

REL.22/K2100K* - Rim Exit Device with Knob Trim
REL.22/K2100L* - Rim Exit Device with Lever Trim
REL.2227/K2100L* - Surface Mounted Vertical Rod Device with Lever Trim

REL.98/99/K2100K* - Rim Exit Device with Knob Trim
REL.98/99/K2100L* - Rim Exit Device with Lever Trim
REL.98/9927/K2100L* - Surface Mounted Vertical Rod Device with Lever Trim
REL.98/9957/K2100L* - Three Point Latching Device with Lever Trim

REL.22/K700* - Rim Exit Device
REL.2227/K700* - Surface Mounted Vertical Rod Device

REL.98/99/K700* - Rim Exit Device
REL.98/9927/K700* - Surface Mounted Vertical Rod Device
REL.98/9957/K700* - Three Point Latching Device

REL.561/K700 - One Point Locking
REL.562-V/K700 - Two/Three Point Locking
REL.562-S/K700 - Three Point Locking (Side Pullmans)

REL.571/K700 - One Point Locking
REL.572-V/K700 - Two/Three Point Locking
REL.572-S/K700 - Three Point Locking (Side Pullmans)

Finishes (escape hardware only)

SE - Silver (**560** and **570** series only)
SP28(689) - Sprayed Silver (**REL.22** series only)
SP313(695) - Sprayed Dark Bronze (**REL.22** series only)
US28 - Satin Anodized Aluminium (**REL.98/99** series only)

* All modifications must be carried out by Relcross

**REL.K700 Keylex Mechanical Digital Lock -
Adams Rite 4591 Paddle Handle &
Adams Rite 4720 Mortice Dead Latch**

4591 Paddle Handle

The **4591 Paddle Handle** is designed for simple push or pull operation as an alternative to a push bar or touch bar device. The paddle handle controls a mortice dead latch and is compatible with a modified version of the **Keylex 700**.

The push version of the **4591 Paddle Handle**, when used with the **4720 Series Dead Latch** and used in conjunction with the **8460 Ramp Jaw Strike**, conforms to BS EN 179:1998+A1:2001 EC Certificate of Conformity number 1121-CPD-A80011.



4591

**Standard Features -
(Paddle)**

- **Device Functions** - Ships ready for all functions;
Push to Left, Push to Right, Pull to Left & Pull to Right
- **Universal** - Non-handed, suits LH & RH doors
- **Escutcheon Size** - 105mm x 34mm x 58.7mm
- **Paddle Size** - 85mm x 125mm for ease of use
- **Spindle** - Heat treated 6.35mm set on the diamond for 44mm doors

How to specify or order

REL.4591/4720/K700* - Paddle Device

Finishes (escape hardware only)

- | | |
|--------------|--|
| Black | - Black (Escutcheon only) |
| SAA | - Satin Anodized Aluminium (Paddle only) |
| DB | - Dark Bronze (Paddle only) |

* All modifications must be carried out by Relcross

4720 Heavy Duty Dead Latch

This heavy duty dead latch, for use with hollow metal and timber doors offers flexible traffic control and an excellent level of security. The auxiliary bolt feature deadlocks the latch when the door is closed against the strike. Maximum operational door gap is 5mm. The dead latch operates using the **Keylex 700** from the outside with the **4591 Paddle Handle** from the inside.

The latch bolt is reversible and is supplied un-handed unless specified.

When used in emergency exit applications with the **4591 Paddle Handle**, the assembly must use the **8460 Ramped Jaw Strike** in order to conform to BS EN 179+A1:2001.



REL.4591/4720/K700

**Standard Features -
(Heavy Duty Dead Latch)**

- **Overall Case Size** - 202mm x 31.7mm x 54.4mm suits hollow metal and timber door stiles
- **Universal** - Non-handed, suits LH & RH doors (field adjustable)
- **Backset** - 38.1mm suits narrow stile doors
- **Latch Throw** - 12.7mm
- **Auxiliary Bolt** - ZA-27 Zinc, chrome plated with hardened steel internal pins for assured security
- **Operation** - Authorized code entry enables retraction of the latch bolt via the outside lever. Internal paddle handle is always operable

Important Note

Door thicknesses should be advised in all cases. The standard modification suits doors from 44mm to 50mm.

Minimum door thickness is 44mm.