

Features

- Independently tested to 250,000 double action cycles to EN1154
- 90° hold open facility available at no extra cost
- Standard spindle length - 12mm
- Replacement items available for retrofit installations and maintenance
- Quality products at acceptable prices
- Nationwide maintenance service available

Functionality

The overhead door closer is designed to be concealed within the transom header bar of the door. It provides controlled closing of a single or double action, aluminium door or doors. Features built into the closer include dual closing speeds to allow flexibility in closing; three levels of spring strength and 90° hold open facility. The closer comes complete with its own fixing pack and comprehensive fixing instructions. Various arms and spindle lengths are available on request.



Side Loading Option (Includes 51A2 Arm)

Code	Description
DDA-NHO-T1-U	DDA Compliant - no hold open
510100T1-U	Light duty (size 1) - no hold open
510200T1-U	Medium duty (size 2) - no hold open
510300T1-U	Heavy duty (size 3) - no hold open
510900T1-U	Variable strength - no hold open
DDA-HO-T1-U	DDA Compliant - 90° hold open
510190T1-U	Light duty (size 1) - 90° hold open
510290T1-U	Medium duty (size 2) - 90° hold open
510390T1-U	Heavy duty (size 3) - 90° hold open
510990T1-U	Variable strength - 90° hold open
510400DT1-U	Dummy Closer

End Loading Option (Includes 51A3 Arm)

Code	Description
DDA-NHO-T2-U	DDA Compliant - no hold open
510100T2-U	Light duty (size 1) - no hold open
510200T2-U	Medium duty (size 2) - no hold open
510300T2-U	Heavy duty (size 3) - no hold open
510900T2-U	Variable strength - no hold open
DDA-HO-T2-U	DDA Compliant - 90° hold open
510190T2-U	Light duty (size 1) - 90° hold open
510290T2-U	Medium duty (size 2) - 90° hold open
510390T2-U	Heavy duty (size 3) - 90° hold open
510990T2-U	Variable strength - 90° hold open
510400DT2-U	Dummy Closer

Short Side Loading Option (Includes 51A1 Arm)

Code	Description
DDA-NHO-T3-U	DDA Compliant - no hold open
510100T3-U	Light duty (size 1) - no hold open
510200T3-U	Medium duty (size 2) - no hold open
510300T3-U	Heavy duty (size 3) - no hold open
510900T3-U	Variable strength - no hold open
DDA-HO-T3-U	DDA Compliant - 90° hold open
510190T3-U	Light duty (size 1) - 90° hold open
510290T3-U	Medium duty (size 2) - 90° hold open
510390T3-U	Heavy duty (size 3) - 90° hold open
510990T3-U	Variable strength - 90° hold open
510400DT3-U	Dummy Closer

51A1

Special Top Arm Assembly

Short Side Load

For use with 65mm pivot and 51A5 'F' bracket



51A2

Side Load Top Arm Assembly

70mm pivot



NB - Trade pack quantity for all closer types is 4
 - 17mm Extended Spindle, change code to 'X-U'
 i.e 510190T1X-U
 - 22mm Extended Spindle, change code to 'X-U-22'
 i.e 510190T1X-U-22

closers

Overhead Specifications

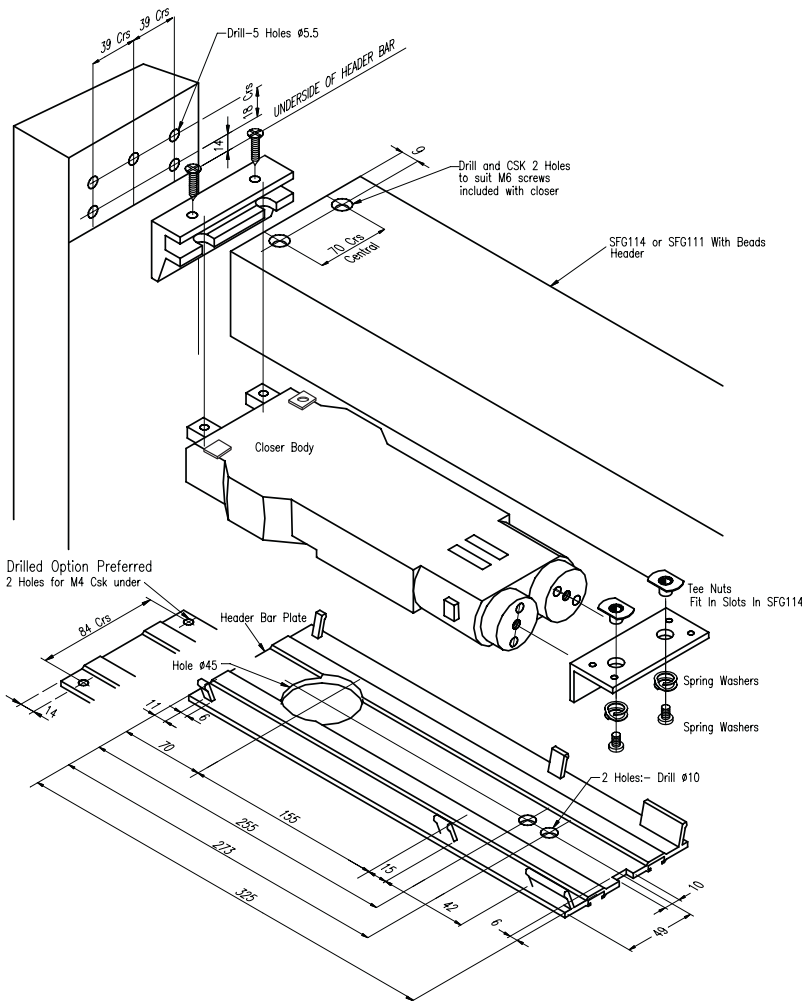


Dimensions	293mm x 90mm
Concealed thickness	37mm
Maximum door width	Light spring - under 750mm (size 1) Medium spring - 751mm to 950mm (size 2) Heavy spring - 951mm to 1150mm (size 3)
Maximum door weight	100kg
Maximum door height	Light, medium and heavy spring - 2540mm
Closing speed	Dual; initial closing speed is factory preset. Final closing speed is full adjustable after installation
Lubrication	Stable hydraulic fluid suitable for most climatic conditions and constant lubrication
Function	Built in positive back stop and optional 90° hold open position

Accessories

Code	Description
51A1	Special top arm assembly - short side load
51A2	Side load top arm assembly
51A3	End load top assembly - use for round nose stiles
51A4	Standard bottom pivot assembly
51A5	"F" bracket, closing jamb/header bar bracket including fixings
51A10	Heavy duty bottom pivot assembly - maximum weight 120kg

Preparation Detail



51A3 End Load Top Assembly Use for Roundnose Stiles



51A4 Bottom Pivot Assembly 51A10 Heavy Duty Bottom Pivot Assembly also available



51A5 'F' Bracket with Screws (Set A)

