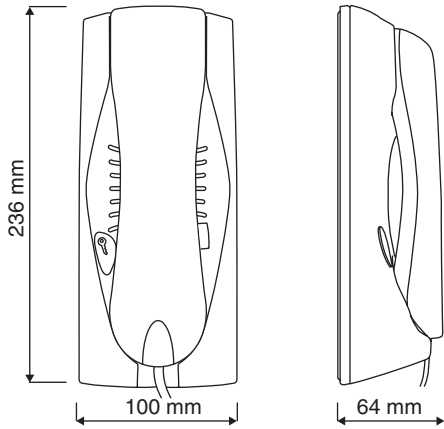
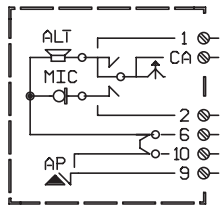




DOOR PHONE WITH INSERTION KEY ON THE HANDSET Ref. 1133/10

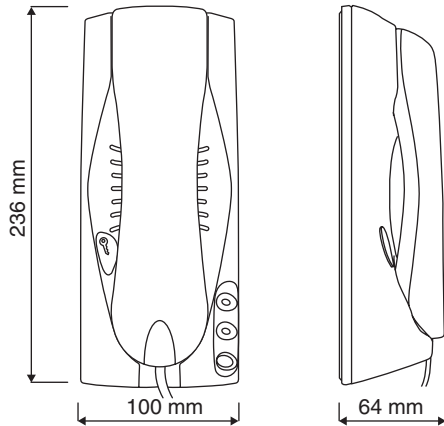


The door phone **Ref. 1133/10** has the same features as Ref. 1133. The only difference is the key on the handset. This key connects the speech wires and must be held pressed for the entire duration of the conversation. In the systems where these door phones are installed, the handset can remain unhooked without affecting the other door phones. A door phone left off hook cannot receive call signals. This problem can be solved by inserting an additional speaker Ref. 9854/54 or additional ringer. The 1133/10 door phone may be used only in door phone systems.



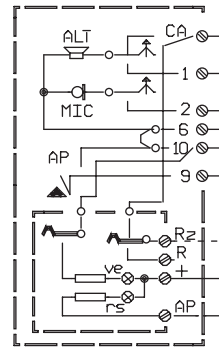
- 1 Door phone speaker signal with on button
- CA Door phone call signal
- 2 Door phone microphone signal with on button
- 6 } Power ground
- 10 }
- 9 Door opener control

DOOR PHONE WITH 2 LEDS, 1 SWITCH Ref. 1133/20



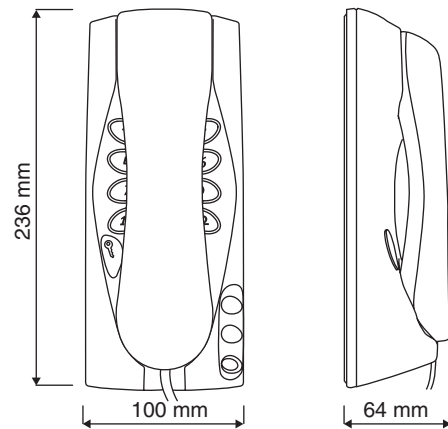
The door phones **Ref. 1133/20** with 2 leds and 1 switch are used to provide the following services:

- possibility of cutting off the call sound ("privacy" condition);
- checking that the main door is open (with warning light);
- simultaneous door opening just pressing the call button (helpful, for example, for doctors' offices during visiting hours).



- 1 Door phone speaker signal
- CA Call signal to door phone speaker (without on switch)
- 2 Door phone microphone signal
- 6 } Power ground
- 10 }
- 9 Door opener control
- Rz Call signal from panel
- R Door opener direct from call button (only with switch at off and presence of relay Ref. 788/21: see diagram SC101-0289)
- + LEDs power positive
- AP Door open control

DOOR PHONE WITH 12 ADDITIONAL BUTTONS + 1 SERVICE BUTTON Ref. 1133/12



The **Ref. 1133/12** door phone has the same electrical and dimensional features as the basic door phone. It is equipped with:

- 12 intercom service buttons;
- 1 supplementary button already fitted on the device (in addition to the door opener button);
- 1 buzzer for differentiating door unit calls and intercom calls.
- 1 diode type 1N4007 for intercom system.

The door phone is set up for installing up to 2 additional buttons (1133/55 ten additional buttons kit). A 1133/56 mute + LED kit can be installed instead of the supplementary buttons.

Note: Call buttons from 1 to 12 can operate a load with maximum consumption of 500mA.

Important: Up to 13 intercommunicating door phones can be connected to the table-top version door phone (using 1133/50 table-top transformation kit).