

# Securefast Tâte Colson

Mechanical Digital Locks

[securefast.co.uk](http://securefast.co.uk)

SPECIFICATION MANUAL



Part of the  
**Securefast Group**

- SECUREFAST
- DEEDLOCK
- PINSON
- TATE
- COLSON

# Mechanical Digital Lock Introduction

## Securefast Mechanical Digital Locks

Mechanical digital locks are designed to offer a simple and convenient means of providing moderate security for individual doors. Typically used in low to medium traffic areas which require a means of restricting casual access without the need for keys, cards or tokens, such as store rooms, workshops, staff rooms and boiler rooms for example.

Although individual details will vary, all the Securefast digital locks have the following features and benefits:

- Convenience - no keys, cards or tokens to become lost or stolen
- Simplicity - totally self contained solutions requiring no additional items of hardware
- No expensive wiring to install or batteries to monitor and replace
- Security can be reinstated immediately if staff change or a code is compromised
- Internal unit provides immediate exit without keys
- Easy and quick to install with mortice lock or tubular latch

## Guarantees

To support the high quality engineering, durability and quality performance of the products sold, Securefast plc give a statutory 1 year guarantee against defects due to faulty manufacturing, workmanship or defective material.



Easy Code change

# Mechanical Digital Lock Selection

## Code Change Options

**Conventional Detainers** - Digital locks with conventional detainers allow the code to be changed by removing and replacing the detainers in the back of the code unit.

**Easy Code Change** - For situations where it is likely that the code may need to be changed frequently the **Easy Code Change** feature is ideal as it simplifies the process. By pushing and turning the buttons on the back of the unit each button can be toggled as active or inactive in the code.

Look out for this icon for Securefast mechanical digital locks that have the 'Easy Code Change' feature.



**Easy Code.plus** - Units with the **Easy Code.plus** feature have been developed with a mechanism which isolates the buttons from the internal mechanism when the unit is 'locked' and gives an enhanced security feature.

## Selecting the most appropriate unit

The table below is provided as a quick guide to selecting the most appropriate unit for your application by considering the following simple suggested options:

- Will you change codes frequently - if 'yes' select a unit featuring 'Easy Code Change'
- Is easy operation needed for elderly users - if 'yes' select a lever operation method
- Is there a risk of damage from vandalism - if 'yes' select a knob operation method
- Do you need additional security - if 'yes' select a mortice sashlock locking method
- Do you want to be able to unlock once and allow free passage - select a unit with holdback
- Do you expect heavy duty use - if 'yes' select a mortice sashlock or nightlatch locking method
- Do you need to fit onto a steel door - if 'yes' select a mortice lock locking method

| Product Codes & Finishes    |                      | Description   | Code Changing                    |                  |                                  | Features         |                   | Combinations & Codes          |                        |                             | Operation Method    |                 |                              | Locking Method               |                    |                  |              | Dimensions |             |            |            |                |
|-----------------------------|----------------------|---|----------------------------------|------------------|----------------------------------|------------------|-------------------|-------------------------------|------------------------|-----------------------------|---------------------|-----------------|------------------------------|------------------------------|--------------------|------------------|--------------|------------|-------------|------------|------------|----------------|
| Satin Chrome (product ref.) | Brass (product ref.) |   | Standard Code Change (Detainers) | Easy Code Change | Easy Code.plus Enhanced Security | Passage Function | Holdback Facility | Available Combination Buttons | No. of Digits per Code | Non-sequential Combinations | Turn Knob Operation | Lever Operation | Standard Differ Key Override | Tubular Latch (60mm backset) | Mortice Nightlatch | Mortice Sashlock | Rim Deadbolt | Fire Rated | Height (mm) | Width (mm) | Depth (mm) | Fixing Centres |
| <b>SBL300.S</b>             | <b>SBL300.B</b>      | Push Button Digital Lock                                | ◆                                |                  |                                  |                  |                   | 13                            | 3 - 7                  | 5720                        | ◆                   |                 |                              | ◆                            |                    |                  |              | ◆          | 142         | 41         | 38         | 130            |
| <b>SBL310.S</b>             | <b>SBL310.B</b>      | Push Button Digital Lock with holdback                  | ◆                                |                  |                                  |                  | ◆                 | 13                            | 3 - 7                  | 5720                        | ◆                   |                 |                              | ◆                            |                    |                  |              | ◆          | 142         | 41         | 38         | 130            |
| <b>SBL315.S</b>             | <b>SBL315.B</b>      | Push Button Digital Lock Easy Code change with holdback |                                  | ◆                |                                  |                  | ◆                 | 11                            | 11                     | 2047                        | ◆                   |                 |                              | ◆                            |                    |                  |              | ◆          | 142         | 41         | 38         | 130            |
| <b>SBL320.S</b>             | <b>SBL320.B</b>      | Push Button Digital Lock Easy Code change with holdback |                                  | ◆                |                                  |                  | ◆                 | 13                            | 13                     | 8191                        | ◆                   |                 |                              | ◆                            |                    |                  |              | ◆          | 158         | 45         | 44         | 147            |
| <b>SBL325.S</b>             | <b>SBL325.B</b>      | Mini Push Button Digital Lock - Budget                  |                                  | ◆                |                                  |                  | ◆                 | 9                             | 9                      | 511                         | ◆                   |                 |                              | ◆                            |                    |                  |              |            | 130         | 47         | 47         | 118            |
| <b>SBL330.S</b>             |                      | Push Button Digital Lock - Easy Code Plus with knob     |                                  |                  | ◆                                |                  | ◆                 | 11                            | 11                     | 2047                        | ◆                   |                 |                              | ◆                            |                    |                  |              | ◆          | 142         | 41         | 38         | 130            |
| <b>SBL330.SL</b>            |                      | Push Button Digital Lock - Easy Code Plus with lever    |                                  |                  | ◆                                |                  |                   | 11                            | 11                     | 2047                        |                     | ◆               |                              | ◆                            |                    |                  |              | ◆          | 142         | 41         | 65         | 130            |
| <b>SBL340.S</b>             |                      | Push Button Digital Lock with deadbolt                  | ◆                                |                  |                                  |                  |                   | 13                            | 3 - 7                  | 5720                        | ◆                   |                 |                              |                              |                    |                  | ◆            | ◆          | 142         | 41         | 38         | 130            |
| <b>SBL350.S</b>             |                      | Push Button Digital Lock with knob and key override     | ◆                                |                  |                                  |                  |                   | 13                            | 3 - 7                  | 5720                        | ◆                   |                 | ◆                            | ◆                            |                    |                  |              | ◆          | 142         | 41         | 54         | 130            |
| <b>SBL365.S</b>             |                      | Push Button Digital Lock with lever                     |                                  | ◆                |                                  |                  | ◆                 | 10                            | 10                     | 1023                        |                     | ◆               |                              | ◆                            |                    |                  |              | ◆          | 178         | 48         | 90         | 158            |
| <b>SBL365SL-91</b>          |                      | Push Button Digital Lock with mortice sashlock          |                                  | ◆                |                                  |                  | ◆                 | 10                            | 10                     | 1023                        |                     | ◆               |                              |                              |                    | ◆                |              | ◆          | 178         | 48         | 90         | 158            |
| <b>SBL365SL-94</b>          |                      | Push Button Digital Lock with mortice nightlatch        |                                  | ◆                |                                  |                  | ◆                 | 10                            | 10                     | 1023                        |                     | ◆               |                              |                              | ◆                  |                  |              | ◆          | 178         | 48         | 90         | 158            |
| <b>SBL370.S</b>             | <b>SBL370.B</b>      | Mini Push Button Digital Lock for Cabinets & Cupboards  | ◆                                |                  |                                  |                  |                   | 9                             | 2 - 4                  | 246                         | ◆                   |                 |                              | ◆                            |                    |                  |              |            | 107         | 43         | 44         | 97             |
| <b>SBL380.S</b>             |                      | Push Button Digital Lock both sides                     | ◆                                |                  |                                  |                  |                   | 9                             | 4 - 6                  | 3718                        | ◆                   |                 |                              | ◆                            |                    |                  |              | ◆          | 158         | 45         | 44         | 147            |

# Easy Code.plus Mechanical Digital Locks

## General Overview

The *Easy Code* range has all the operating features of the conventional Code Change Range but has been designed to simplify the code changing process by eliminating the need to move retainers around in the mechanism (see page 2).

The **SBL330** *Easy Code* Mechanical Digital Locks are designed to offer a simple and convenient means of providing security for low to medium traffic areas such as store rooms, workshops, plant rooms and offices.

The **SBL330.S** is knob operated and the **SBL330.SL** is operated by a stylish lever handle on both sides for ease of use.



## Universal Benefits

*Easy Code.plus* mechanism provides enhanced security features  
Non handed design suitable for left or right hand doors

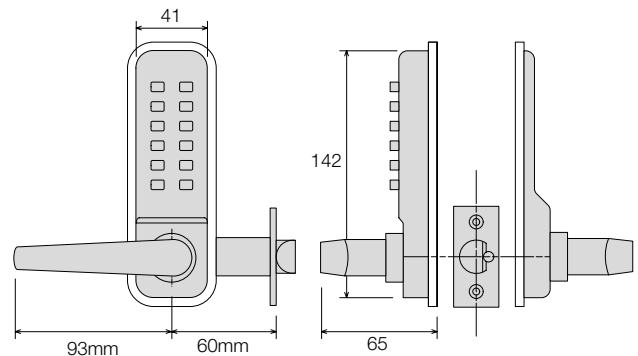
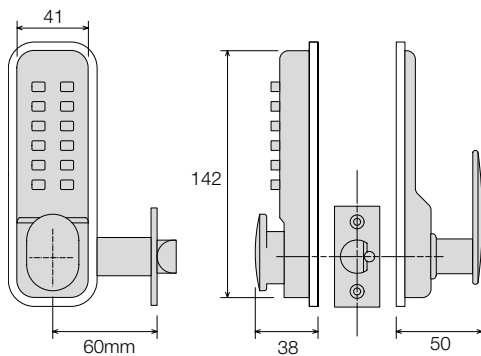
## Features



Both models have the following features

- Supplied with 60mm backset deadlocking tubular latch
- Clutch mechanism on lever to prevent damage to internal parts
- Successfully fire tested to EN1637 for use on fire doors up to 1 hr
- Suitable for external use having completed 240hr salt spray test to EN1670
- Internal unit provides egress by a large turn knob (SBL330.S) or lever handle (SBL330.SL)
- SBL330.S with knob has hold back function on internal unit allowing unrestricted access
- Suitable for timber doors 35 - 65mm thick
- Compact and robust zinc die cast body
- Supplied with black neoprene seals



**SBL330.SL**



| Product Information         |   | SBL330.S        |  | SBL330.SL  |                  |
|-----------------------------|---|-----------------|--|--|------------------|
| Satin Chrome Finish         |  | <b>SBL330.S</b> |  |  | <b>SBL330.SL</b> |
| Brass Finish                |   | <b>n/a</b>      |  |  | <b>n/a</b>       |
| Dimensions (mm) H x W x D   |   | 142 x 41 x 38   |  | 142 x 41 x 65  |                  |
| Fixing Centres (mm)         |   | 130             |  | 130  |                  |
| Available Code Buttons      |   | 11              |  | 11   |                  |
| No. of Digits per Code      |   | 1-11            |  | 1-11   |                  |
| Non-sequential Combinations |   | >2000           |  | >2000  |                  |

## General Overview

The *Easy Code* range has all the operating features of the conventional Code Change Range but has been designed to simplify the code changing process by eliminating the need to move retainers around in the mechanism (see page 2).

The **SBL315**, **SBL320**, **SBL325** and **SBL380** *Easy Code* Mechanical Digital Locks are designed to offer a simple and convenient means of providing security for low to medium traffic areas such as store rooms, workshops, plant rooms and offices.

## Universal Benefits

*Easy Code* Change - reinstating security is quick and simple if codes are compromised (for example changes in personnel)

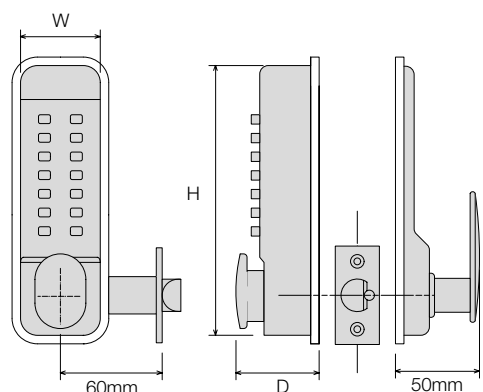
Non handed design suitable for left or right hand doors

## Features

- Supplied with 60mm backset deadlocking tubular latch
- Successfully fire tested to EN1637 for use on fire doors up to 1 hr (except SBL325)
- Suitable for external use having completed 240hr salt spray test to EN1670
- Internal unit provides egress by a large turn knob
- Hold back function on internal knob allows unrestricted access
- Suitable for timber doors 35 - 65mm thick
- Compact and robust zinc die cast body
- Supplied with black neoprene seals



SBL320



## General Overview SBL380

The **SBL380** is an *Easy Code* mechanism back to back digital lock, supplied complete with a 60mm backset deadlocking tubular latch. Having a keypad both sides of the door allows greater control of who enters **and** exits the area.




## Features

- Code access from both sides
- Different codes can be set on each side
- Suitable for timber doors 35 - 65mm thick

SBL380 - Back to back



## Product Information

|                             |   |                                |   |                 |   |                 |
|-----------------------------|---|--------------------------------|---|-----------------|---|-----------------|
| Satin Chrome Finish         |  | <b>SBL320.S &amp; SBL380.S</b> |  | <b>SBL315.S</b> |  | <b>SBL325.S</b> |
| Brass Finish                |   | <b>SBL320.B</b>                |   | <b>SBL315.B</b> |   | <b>SBL325.B</b> |
| Dimensions (mm) H x W x D   |   | 158 x 45 x 44                  |   | 142 x 41 x 38   |   | 130 x 47 x 47   |
| Fixing Centres (mm)         |   | 147                            |   | 130             |   | 118             |
| Available Code Buttons      |   | 13                             |   | 11              |   | 9               |
| No. of Digits per Code      |   | 1-13                           |   | 1-11            |   | 1-9             |
| Non-sequential Combinations |   | >8000                          |   | >2000           |   | >500            |

# Easy Code Mechanical Digital Locks

## General Overview

The *Easy Code* **SBL365** range is lever operated and has been designed to simplify the code changing process by eliminating the need to move retainers around in the mechanism (see page 2).

The **SBL365.S** with latch is designed to offer a simple and convenient means of providing security for low to medium traffic areas such as store rooms, workshops, plant rooms and offices.

The **SBL365.SL** is designed to operate a mortice sashlock or nightlatch and is ideal for steel and timber doors.



## Universal Benefits

*Easy Code* Change - reinstating security is quick and simple if codes are compromised (for example changes in personnel)

Non handed design suitable for left or right hand doors

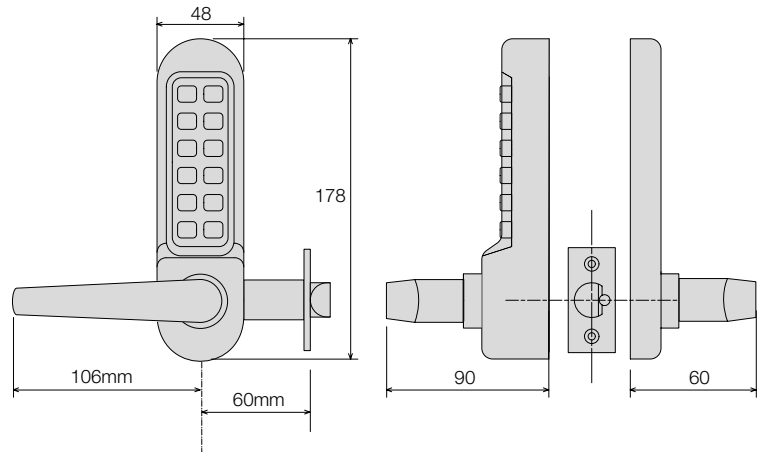
Lever operation from both sides provides ease of use

## Features

- Supplied with either mortice sashlock, mortice nightlatch or tubular latch
- Mortice locks are available with round or square forend
- Successfully fire tested to EN1637 for use on fire doors up to 1 hr
- Suitable for external use having completed 240hr salt spray test to EN1670
- Mortice night latch option with anti-thrust security complete with 45mm single cylinder, security escutcheon and blind rose
- Mortice sash lock option provides additional security with a deadbolt complete with 70mm double keyed cylinder and security escutcheons
- Clutch mechanism on lever handle to prevent damage from misuse
- Suitable for timber and steel doors 35 - 65mm thick
- Compact and robust zinc die cast body
- Free passage mode
- Supplied with black neoprene seals



**SBL365.S** with tubular latch



| Product Information         |  | SBL365.S      |
|-----------------------------|--|---------------|
| Lock Type                   |  | Tubular Latch |
| Forend Style                |  | Square        |
| Dimensions (mm) H x W x D   |  | 178 x 48 x 90 |
| Fixing Centres (mm)         |  | 158           |
| Available Code Buttons      |  | 10            |
| No. of Digits per Code      |  | 1-10          |
| Non-sequential Combinations |  | >800          |



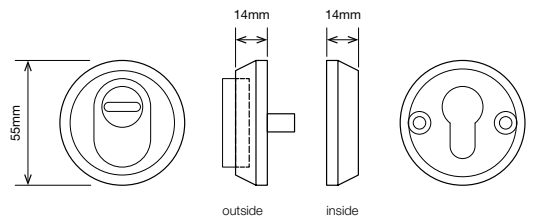
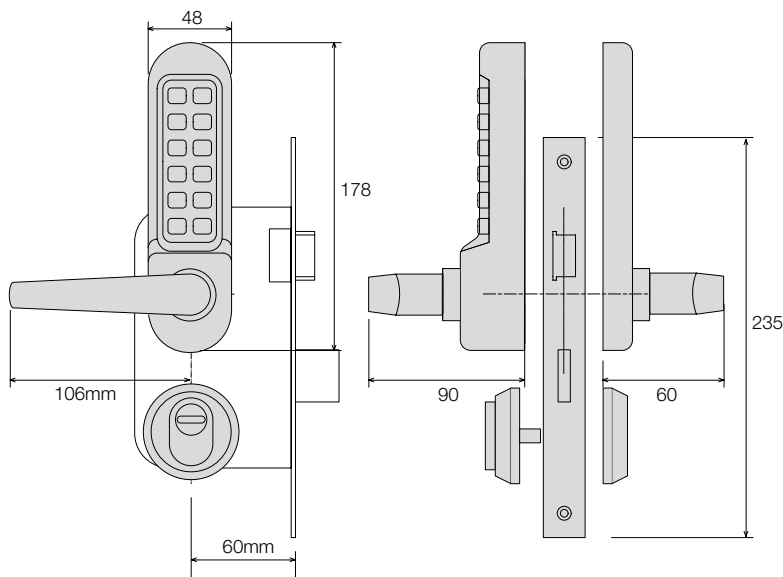
**SBL365.SL-94**  
with nightlatch



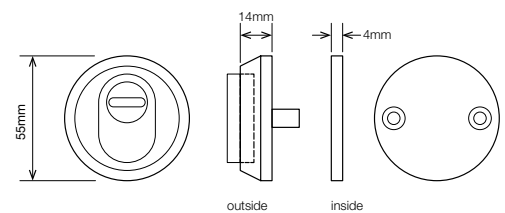
**SBL365.SL-91**  
with sashlock

### Security Escutcheons

The **SBL365.SL Easy Code** Mechanical Digital Lock can be mounted with additional cylinder override protected by a security escutcheon. When used with the SBL365.SL-91 Sashlock function, the cylinder can be used to throw and retract the deadbolt.



Security Escutcheon for double cylinder  
for use with Sashlock



Security Escutcheon for single cylinder  
for use with nightlatch

| Product Information         |  | SBL365.SL-91  | SBL365.SL-91R | SBL365.SL-94  | SBL365.SL-94R |
|-----------------------------|--|---------------|---------------|---------------|---------------|
| Lock Type                   |  | Sashlock      | Sashlock      | Nightlatch    | Nightlatch    |
| Forend Style                |  | Square        | Round         | Square        | Round         |
| Dimensions (mm) H x W x D   |  | 178 x 48 x 90 | 178 x 48 x 90 | 178 x 48 x 90 | 178 x 48 x 90 |
| Fixing Centres (mm)         |  | 158           | 158           | 158           | 158           |
| Available Code Buttons      |  | 10            | 10            | 10            | 10            |
| No. of Digits per Code      |  | 1-10          | 1-10          | 1-10          | 1-10          |
| Non-sequential Combinations |  | >800          | >800          | >800          | >800          |

## General Overview

The **SBL300** and **SBL310** are compact and self contained mechanical digital coded locks supplied complete with a 60mm backset deadlocking tubular latch. Available with (**SBL310**) or without (**SBL300**) hold back facility, these digital locks are robust and a convenient means of providing security for low to medium traffic areas such as storerooms, workshops, plant rooms and offices.

## Features of SBL300 & SBL310

- Supplied with deadlocking tubular latch, 60mm backset
- Single user code of 3 - 7 digits
- Non handed suitable for left or right hand applications
- Egress by large turn knob
- Suitable for timber doors 35 - 65mm thick
- Compact and robust zinc die cast body
- 240hr salt spray corrosion resistance to EN1670
- Supplied with black neoprene seals



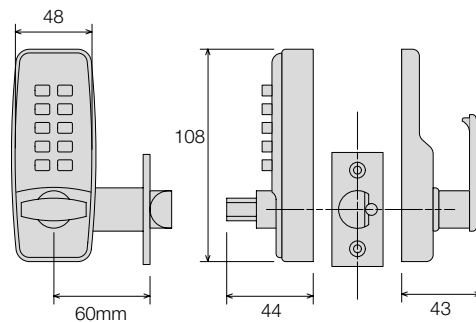
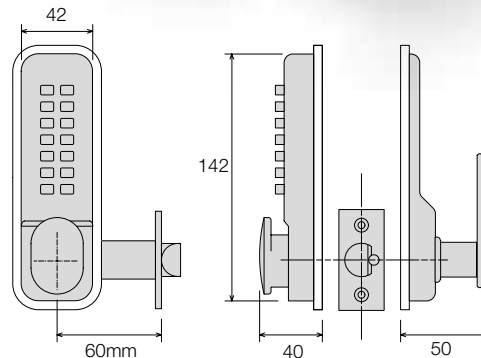
**SBL300 & SBL310**

## SBL370

The **SBL370** is a mini compact and self contained mechanical digital coded lock supplied complete with a 60mm backset deadlocking tubular latch. These digital locks are robust and a convenient means of providing security.

## Features of SBL370

- Supplied with deadlocking tubular latch
- Single user code of 2 - 4 digits
- Non handed suitable for left or right hand internal applications
- Egress by large turn knob
- Suitable for timber doors 35 - 65mm thick
- Compact and robust zinc die cast body
- Supplied with black neoprene seals










## Product Ref: Description

**SBL300** Digital code lock without hold back

**SBL310** Digital code lock with hold back

**SBL370** Mini code lock with tubular latch

| Product Information         |   |                                |                 |
|-----------------------------|---|--------------------------------|-----------------|
| Satin Chrome Finish         |  | <b>SBL300.S &amp; SBL310.S</b> | <b>SBL370.S</b> |
| Brass Finish                |  | <b>SBL300.B &amp; SBL310.B</b> | <b>SBL370.B</b> |
| Dimensions (mm) H x W x D   |  | 142 x 41 x 38                  | 108 x 43 x 44   |
| Fixing Centres (mm)         |  | 130                            | 97              |
| Available Code Buttons      |  | 13                             | 9               |
| No. of Digits per Code      |  | 3 - 7                          | 2 - 4           |
| Non-sequential Combinations |  | >5000                          | >200            |

# Standard Code Change Mechanical Digital Locks

## SBL340 - General Overview

The **SBL340** is a compact and self contained mechanical digital coded locks supplied complete with a 20mm throw dead bolt. It is a convenient means of providing security for low to medium traffic areas such as storerooms, workshops, plant rooms and offices.

It is ideally used in situations where the door will be unlocked during the day and left open for free passage.

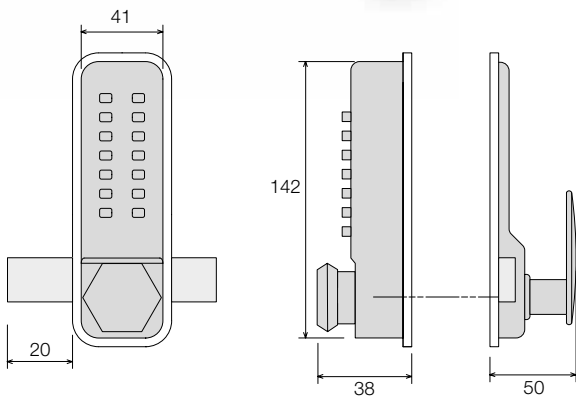
The internal unit has a turn knob which throws and withdraws the dead bolt.

## Features

- Supplied with 20mm deadbolt
- Option of throwing the dead bolt with or without entering the code
- Suitable for external use having completed 240hr salt spray test to EN1670
- Supplied with mortice keep for outward opening doors and surface keep for inward opening doors
- Suitable for timber doors 35 - 65mm thick
- Compact and robust zinc die cast body
- Supplied with black neoprene seals



**SBL340**



## SBL350 - General Overview

The **SBL350** is a compact and self contained mechanical digital coded lock with a knob and key override, supplied complete with a 60mm backset deadlocking tubular latch. The digital lock is robust and gives a convenient means of providing security for low to medium traffic areas such as storerooms, workshops, plant rooms and offices.

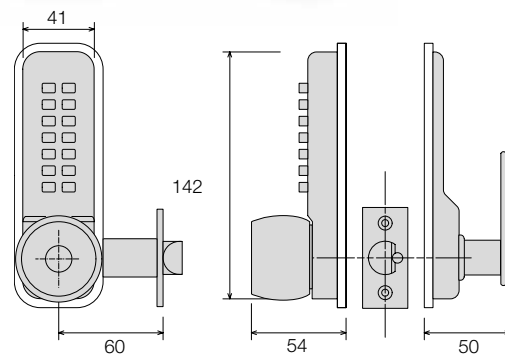
The **SBL350** allows entry either via the code or with one of the keys supplied with the unit. The internal unit provides safe egress by a large turn knob.

## Features


- Supplied with 60mm backset deadlocking tubular latch
- Key override feature to gain access in an emergency or as an alternative to code entry
- Suitable for external use having completed 240hr salt spray test to EN1670
- Internal unit provides egress by a large turn knob
- Hold back function on internal unit allows unrestricted access
- Suitable for timber doors 35 - 65mm thick
- Compact and robust zinc die cast body
- Supplied with 3 No. standard differ keys
- Supplied with black neoprene seals



**SBL350**



### Product Information

|                             |   |                 |
|-----------------------------|---|-----------------|
| Satin Chrome Finish         |  | <b>SBL340.S</b> |
| Brass Finish                |   | Not available   |
| Dimensions (mm) H x W x D   |   | 142 x 41 x 38   |
| Fixing Centres (mm)         |   | 130             |
| Available Code Buttons      |   | 13              |
| No. of Digits per Code      |   | 3 - 7           |
| Non-sequential Combinations |   | >5700           |

|  |  |                 |
|--|--|-----------------|
|  |  | <b>SBL350.S</b> |
|  |  | Not available   |
|  |  | 142 x 41 x 54   |
|  |  | 130             |
|  |  | 13              |
|  |  | 3 - 7           |
|  |  | >5700           |





**Digital Mechanical Locks for use with Panic & Emergency Exit Hardware**

The Mechanical Digital Locks provide an ideal solution where keyless external access is required to a door fitted with Securefast Panic and Emergency Exit Hardware. The lever option has a clutch mechanism which prevents damage to the inside unit as a result of abuse and is suitable for timber and steel doors.

These Digital Mechanical Locks should only be used with single point latch units, either SED991, SED993 or SED601. (See description for options)

**For Traditional Push Bar Exit Hardware**

- SBL319.S/P** Easy Code outside access digital lock with knob (see SBL315 for information)
- SBL339.S/P** Easy Code Plus Outside Access Digital Lock with Lever (see SBL330 for information)
- SBL369.S/P** Easy Code Outside Access Digital Lock with Lever (see SBL365 for information)

**For Touch Bar Exit Hardware**

- SBL639.S/P** Easy Code Plus Outside Access Digital Lock with Lever (see SBL330 for information)
- SBL669.S/P** Easy Code Outside Access Digital Lock with Lever (see SBL365 for information)





*Our complete portfolio of product brochures can be obtained through our sales offices or can be downloaded from our website*

[www.tatecolson.co.uk](http://www.tatecolson.co.uk)

## **Tâte Colsón**

1st Floor, Queen Anne House, 18 Eastbank Street, Southport, PR8 1DT  
Tel: (01704) 502801 Fax: (01704) 502810 Technical Support (01704) 502815

[www.tatecolson.co.uk](http://www.tatecolson.co.uk) Email: [sales@tatecolson.co.uk](mailto:sales@tatecolson.co.uk)

## **Securefast**

Unit 6, The Cedars Business Centre, Avon Road, Cannock, Staffordshire WS11 1QJ  
Tel: (01543) 501600 Fax: (01543) 501601

[www.securefast.co.uk](http://www.securefast.co.uk) Email: [sales@securefast.co.uk](mailto:sales@securefast.co.uk)