

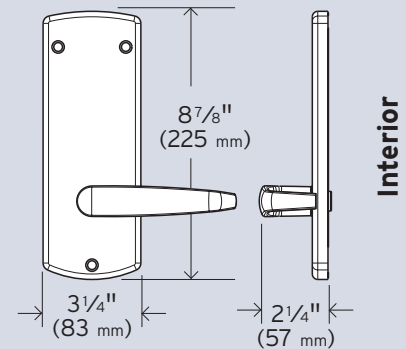
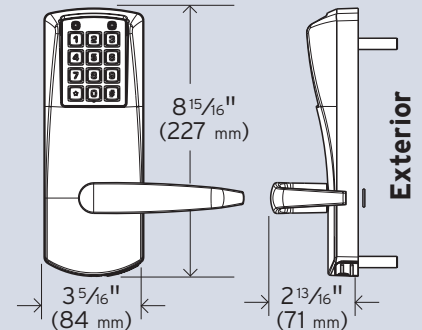
# E-Plex<sup>®</sup> 2000 Cylindrical Specification Sheet



## Features

<b>Access Control:</b>	Electronic pushbutton lock - eliminates problems and costs associated with issuing, controlling and collecting keys and cards
<b>Locking Device:</b>	Cylindrical latch with UL 10C fire rating
<b>Number of Codes:</b>	100 access codes per door; over 100 million possible code combinations
<b>Programming:</b>	Locks are easily programmed via keypad
<b>Handing:</b>	Non-handed, pre-assembled for left-hand door installations - easily changed in the field
<b>Key Override (Optional):</b>	Key-in-lever cylinder in Schlage C Keyway with black Kaba cap (as shown) Small format Interchangeable Core Best & Equivalents (6 or 7-pin length)
<b>Operation Modes:</b>	3 operation modes PIN access Lockout Passage - can be toggled on / off or can be pre-programmed to re-lock after a certain number of hours
<b>Authority Levels:</b>	Four different levels allow you to control who has access to specific lock functions, including: <b>Service codes</b> - programmed for one time access or "come and go" access for 1 to 24 hours
<b>User Parameters:</b>	Code length                      Adjustable to accept 4 to 8 digits Anti-tamper lockout            Adjustable from 3 to 9 invalid attempts with an adjustable period of 0 to 90 seconds Re-lock time                      Adjustable from 2 to 20 seconds
<b>Battery Operation:</b>	Batteries located in exterior housing; offers quick and easy battery replacements for institutions (Three AA Alkaline batteries provide more than 100,000 cycles) Lock data is maintained if batteries fail
<b>Ease of Installation:</b>	No wiring to or through the door - no risk of pinched wires

## Dimensions



## Mechanical Features

<b>Construction:</b>	Light-duty commercial cylindrical lockset, solid cast exterior housing, solid cast levers, cylindrical drive wear tested for extensive use in indoor and outdoor applications
<b>Numeric Keypad:</b>	Vandal resistant, solid metal pushbuttons
<b>Door Handing:</b>	Non-handed, pre-assembled for left-hand door installations - easily changed in the field
<b>Finishes:</b>	Satin Chrome 26D (626) housings & levers Satin Brass 04 (606) housings & levers (optional)
<b>Backsets:</b>	2 ¾" (70 mm), 2 ⅜" (60 mm)
<b>Latch:</b>	½" (13 mm) latch, ¾" (19 mm) latch (optional)
<b>Minimum Stile Recommended:</b>	5" (127 mm)
<b>Weight:</b>	8 lbs. (3.63 kg)

## Key Override (Optional)

<b>Key-In-Lever Cylinder:</b>	Kaba 1539 6-pin cylinder - Schlage C Keyway
<b>Interchangeable Cores:</b>	Small Format Best and equivalents (6 or 7-pin length)

## Installation

<b>Ease of Installation:</b>	No wiring to or through the door - no risk of pinched wires
<b>Door Preparation:</b>	Easily installs on wood or metal doors. ASA 161 door preparation with 3 additional through bore holes
<b>Door Thickness:</b>	1 ⅜" (35 mm) to 2 ½" (64 mm). Pre-assembled to accommodate doors 1 ⅝" (41 mm) to 2" (50 mm)
<b>Items Supplied Include:</b>	Lock assembly, installation manual, template and required hardware
<b>Additional Items Supplied with Key-in-Lever Cylinder Model Only:</b>	Universal Kaba 1539 6-pin cylinder, two nickel silver keys, Schlage C Keyway

## Certification and Testing

<b>Accessibility Standard:</b>	Americans with Disabilities Act (ADA)
<b>Fire Rating:</b>	UL 10C Fire rated
<b>Environmental:</b>	Indoor/Outdoor Approved -31° F (-35° C) to + 151° F (66° C)

## Warranty

<b>Warranty:</b>	Two-year warranty from date of installation; built-in warranty counter in lock memory
------------------	---