

bitronvideo

CITOFONIA - VIDEOCITOFONIA - TVCC - TELEFONIA

CE

MANUALE ISTRUZIONI

CARATTERISTICHE DI FUNZIONAMENTO E INSTALLAZIONE

INSTRUCTIONS MANUAL

OPERATING AND INSTALLATION FEATURES

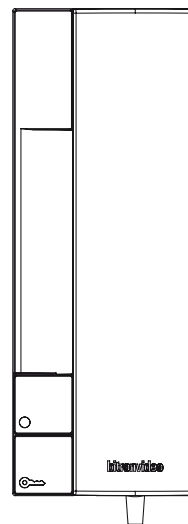
MANUEL D'INSTRUCTIONS

CARATERISTIQUES DE FONCTIONNEMENT ET INSTALLATION

MANUAL DE ISTRUCCIONES

CARACTERÍSTICAS DE FUNCIONAMIENTO E INSTALACIÓN

T-LINE

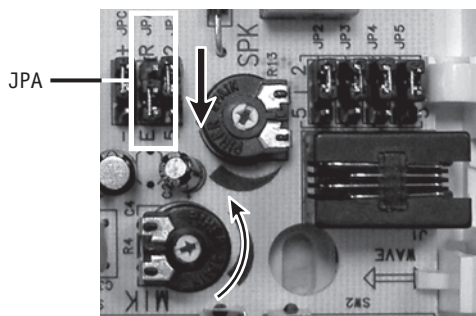


AV1407/010

CITOFONO UNIVERSALE T-LINE
T-LINE UNIVERSAL DOOR PHONE
INTERPHONE UNIVERSEL T-LINE
INTERFÓNO UNIVERSAL T-LINE

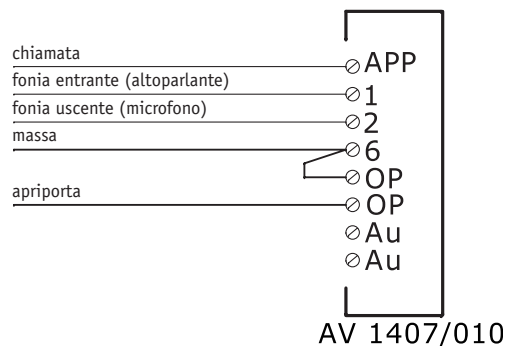
CHIAMATA ELETTRONICA SU ALTOPARLANTE DEL MICROTELEFONO

- Posizionare il jumper JA nella posizione "E".

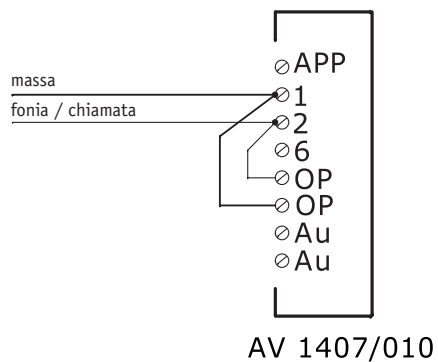


COLLEGAMENTO

IMPIANTI 4+N



IMPIANTI 1+N



CHARACTERISTICS

The main characteristics of AV1407/010 universal door phone are the following:

1. installation in 4+n (5 wires) systems and in 1+n (2 wires) systems.
2. possibility to have traditional call on buzzer or electronic call on handset loudspeaker
3. electronic call adjustment or disabling by a slide switch with three positions.
 - Maximum volume;
 - Minimum volume;
 - call disabling (this is signalled by a little red flag, that comes out of the door phone body)
4. possibility to adjust the incoming speech signal volume (handset loudspeaker)
5. possibility to adjust the outgoing speech signal volume (handset loudspeaker)

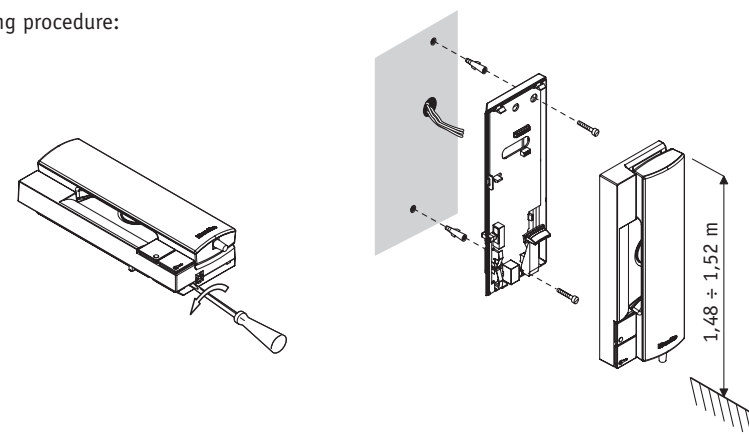
✓ By default the door phone is configured for 4+n signals and for call on buzzer.

TERMINAL PINS DESCRIPTION

Terminal strip connections according to the system wiring			
2 wires (1+n)		5 wires (4+n)	
APP	Not connected	APP	Call tone by buzzer or electronic
1	System ground	1	Incoming speech signal (loudspeaker)
2	Speech signal/call tone	2	Outgoing speech signal (microphone)
6	Not connected	6	System ground
OP	Connect to door phone terminal pin 1	OP	To be connected to the door phone terminal pin 6
OP	Connect to door phone terminal pin 2	OP	Door opener
Au	Free auxiliary contact	Au	Free auxiliary contact
Au	Free auxiliary contact	Au	Free auxiliary contact

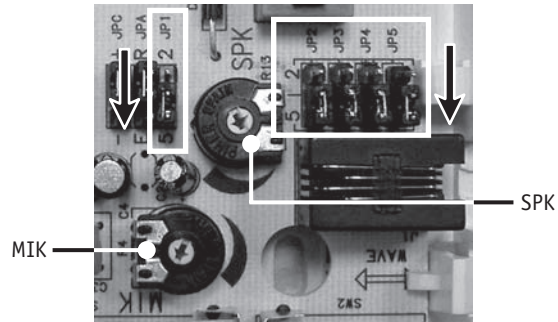
INSTALLATION

Wall mounting procedure:



4+N SYSTEMS

For 4+n (5 wires) systems, put all the jumpers JP1÷JP5 in position “5”, as shown in the photo (standard configuration):

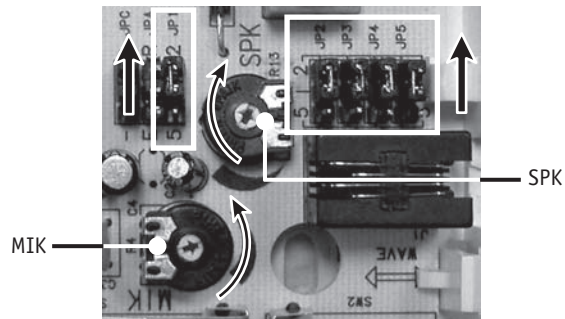


In case of traditional speech signal, set the trimmers MIK and SPK as shown in the photo.
In case of electronic speech signal, rotate all the trimmer SPK clockwise.

1+N SYSTEMS

- Leave the jumper JPC in “+” position.

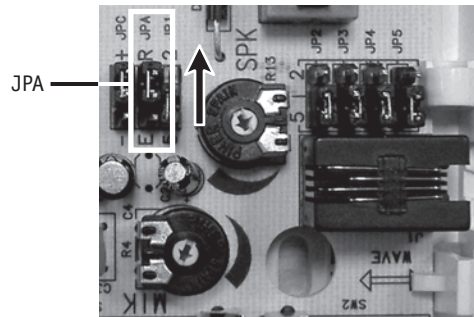
For 1+n (2 wires) systems, put all the jumpers JP1÷JP5 in position “2”, as shown in the photo:



Rotate all the trimmer SPK clockwise.
Rotate the trimmer MIK at about central stroke position.

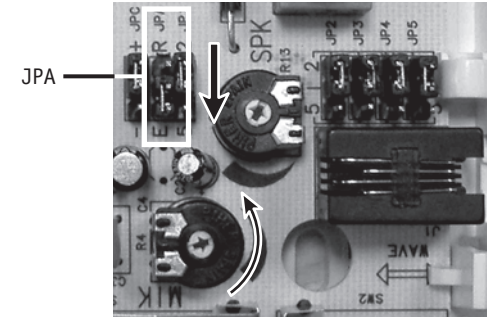
CALL BY BUZZER

Put the jumper JPA in position “R”.



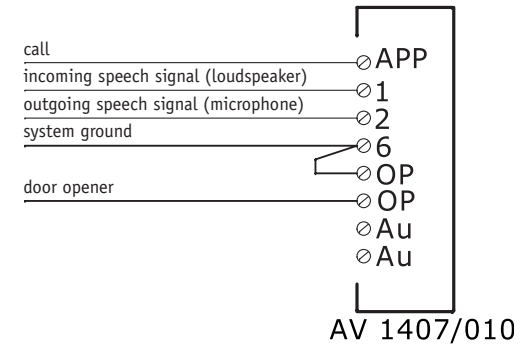
ELECTRONIC CALL BY HANDSET LOUDSPEAKER

- Put the jumper JPA in position “E”.

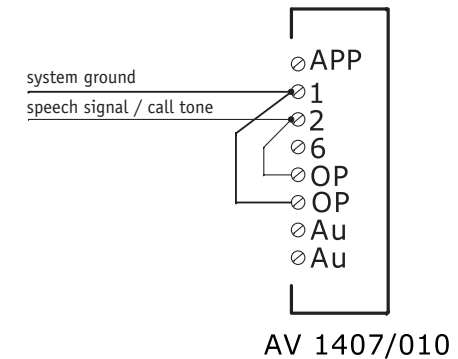


CONNECTIONS

4+N SYSTEMS



1+N SYSTEMS

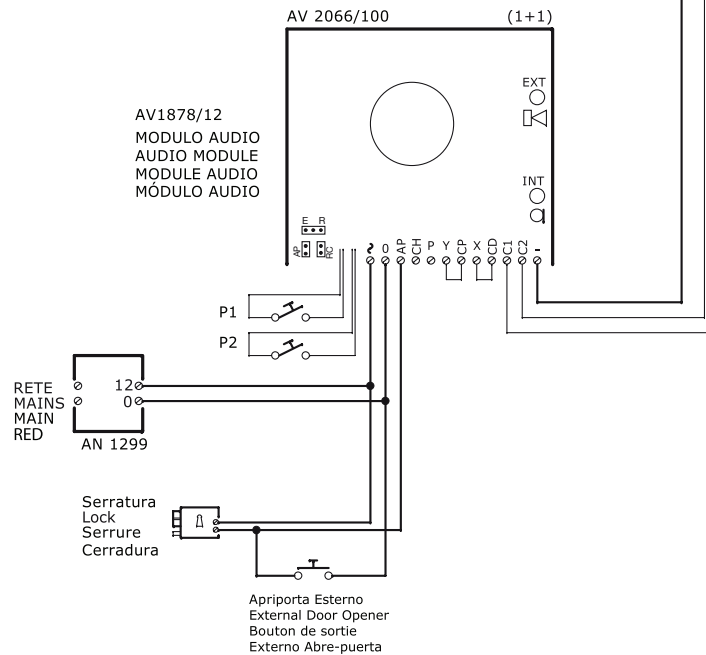
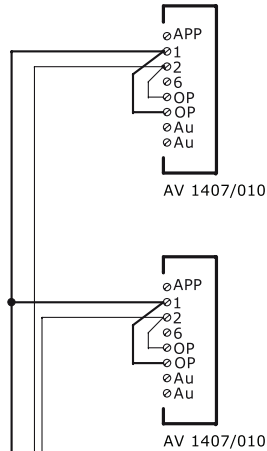


IMPIANTO CITOFONICO (Kit AV2066/22) CON 1 POSTO ESTERNO, 2 UTENTI
(Kit AV2066/22) DOORPHONE SYSTEM WITH 1 VISITOR PANEL, 2 USERS
SISTEME AUDIO (Kit AV2066/22) AVEC UNE PLATINE D'ENTREE, 2 UTILISATEURS
(Kit AV2066/22) SISTEMA DDE AUDIO CON 1 PLACA EXTERIOR, 2 USUARIOS

All rights reserved - Diritti riservati a Norma di Legge

Distanza Distance Distancia	Filo Wire Conducteur Hilo	Filo Wire Conducteur Hilo	Filo Wire Conducteur Hilo
	~ / 0	6 / 9	C7- 1 - 2
mt.	mm. ²	mm. ²	mm. ²
50	1,00	1,00	0,50
100		1,50	1,00
200		2,00	1,50

Tabella Sezioni Conduttori
Wire section
Section conducteur
Tabla de la sección de Hilos

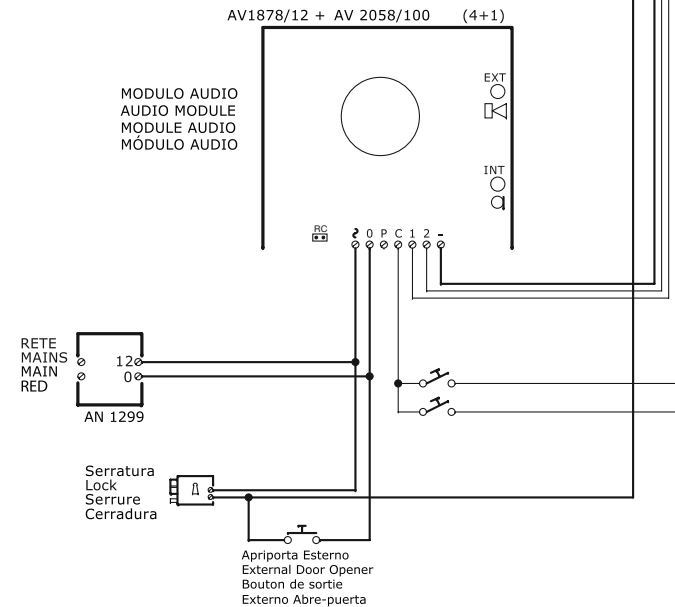
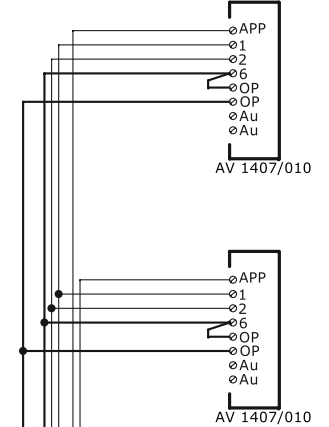


IMPIANTO CITOFONICO (Kit AV2058/52) CON 1 POSTO ESTERNO, 2 UTENTI
(Kit AV2058/52) DOORPHONE SYSTEM WITH 1 VISITOR PANEL, 2 USERS
SISTEME AUDIO (Kit AV2058/52) AVEC UNE PLATINE D'ENTREE, 2 UTILISATEURS
(Kit AV2058/52) SISTEMA DDE AUDIO CON 1 PLACA EXTERIOR, 2 USUARIOS

All rights reserved - Diritti riservati a Norma di Legge

Distanza Distance Distancia	Filo Wire Conducteur Hilo	Filo Wire Conducteur Hilo	Filo Wire Conducteur Hilo
	~ / 0	6 / 9	C7- 1 - 2
mt.	mm. ²	mm. ²	mm. ²
50	1,00	1,00	0,50
100		1,50	1,00
200		2,00	1,50

Tabella Sezioni Conduttori
Wire section
Section conducteur
Tabla de la sección de Hilos



AV1407/010	OP / OP	2	6	1	APP (E)	APP (R)
Casa costruttrice Manufacturer Marque Fabricante	Apertura porta Door opener Ouverture de porte Apertura de puerta	Fonia uscente Outgoing speech signal Phonie descendante Fonia en salida	Massa Ground Masse Masa	Fonia entrante Ingoing speech signal Phonie montante Fonia en entrada	Chiamata elettronica Electronic call tone Appel électronique Llamada electronica	Chiamata su buzzer Call tone by buzzer Appel ronfleur Llamada en zumbador
ACET	5	10	2	7	9	
ACET-ANTENOPHONE	5	10	2	7		9
ACET-ANTENOPHONE	7	3	6	4		5
AIPHONE (poste CVK)	4	1	3	2	B	
AMPER	D	A	C	B	E	
AMPLIVOX	Z	T	0	R		1
AMPLIVOX	Z	8	0	T		1
AMPLIVOX	2	T	0	R		1
ATEA	2	4	3	1	5	
AUTA TF92	10	3	4	7	12	
AUTELCO	P5	a	1	b	2	
BELL SYSTEM TELEPHO.	Z	R	0	T	I	
Bitron	9	2	6	1	C7	11
BOGEN	T	1	3	2	6	
BPT	2	1	4	5	3	
CENTRAMATIC	4	2	1	3	5	
CEVAM	2	6	9	4		R
CITESA	1	4	C	3	B	
CITOFONIX	3	1	2	4		5
CITOVOK	5	10	9	7	T	
COFREL TERANEO LT	T	2	3	1		6
COMELIT	5	3/6	4	2	1	
ELBEX		MIC	LOW	SPEC	+	
ELBOX	2	6	9	4	+	
ELBOX	7	2	3/4/5	1	6	
FARFISA	5	1	3	2	6	
FERMAX	1	2	3	6	4	
FERMAX 2044,20440,21100	1	2	3	6	4	
FERMAX GONDOLA	4	1	3	2	V/5	
FERMAX REKTO TF-4	P	A	C	B	E	
FRINGE	2	3	1	6	4	
GAME	P	2	3	1	Z	
GIRO	2	3	1	6	4	
GOLMAR	X	M	A	S	N	
GOLMAR	C2	5	3	10	7	
GOLMAR	11	5	3	4	12	
GOLMAR T-2800	4	5	3	10	7	

AV1407/010	OP / OP	2	6	1	APP (E)	APP (R)
Casa costruttrice Manufacturer Marque Fabricante	Apertura porta Door opener Ouverture de porte Apertura de puerta	Fonia uscente Outgoing speech signal Phonie descendante Fonia en salida	Massa Ground Masse Masa	Fonia entrante Ingoing speech signal Phonie montante Fonia en entrada	Chiamata elettronica Electronic call tone Appel électronique Llamada electronica	Chiamata su buzzer Call tone by buzzer Appel ronfleur Llamada en zumbador
GOLMAR T-600	T	1	3	2	6	
LT TERRANEO COFREL	T1	1	3	2	6	
OSTELVI	9	2	6	1	7	
PORMAT	4	3	2/5	1	v	
RIPOLLES	3	1	8	2	4	
RITTO ELEGANT 40518	11	12	13	15	14	
SAFNAT	4	1	2	3	v	
SEITI	5	1	3	2	6	
SIEDLE HTA 711-01	I	12	9/C	11	7	
SPRINT	"/"	1	3	2	6	
STR NH200	1	M	0	T	S	
STR NH205	1	M	0	T	S	
TAGRA	8	2	6	1	4	
TEGUI GL	3	4	2	5	1	
TEGUI HORIZON (elec.)	3	4	2	5	1	
TEGUI HORIZON (Zum.)	3	4	2	5	1	
TELEVES	4	2	3	1	T	
TESLA DDZ 85	1	2	3	6	4	
TESLA DDZ 93	z	2	3	6	4	
TUNE	8	2	6	1	4	
URMET	8/9	2	11	1	7	
URMET	9	2	6	1	7	
URMET	9	2	6	1	CA	7
VIDEX	5	1	7	2	6	
YUS PHONE	EL	T	-	R	B/PT	
TRANSIFON	1	5	6	7		4
VEMEL	5	2	3	4		1
VIDEX	5	1	7/3	2	4	6
VISIDIS(OKAY)	5	2	4	3/6		1



bitronvideo

CITOFONIA - VIDEOCITOFONIA - TVCC - TELEFONIA

Bitron Video adotta una politica di continuo sviluppo. Bitron Video si riserva il diritto di effettuare modifiche e miglioramenti a qualsiasi prodotto descritto nel presente documento senza preavviso.

Bitron Video follows a policy of continuous evolution of its products. Therefore Bitron Video reserves the right to introduce changes or modifications all its products in any moment and without prior notice.

Bitron Video applique une méthode de développement continu. Par conséquent, Bitron Video se réserve le droit d'apporter des changements et des améliorations à tout produit décrit dans ce document, sans aucun préavis.

Bitronvideo sigue una política de constante desarrollo; por lo tanto, se reserva el derecho de aportar modificaciones y mejoras a cualquier producto descrito en este documento sin aviso previo.

BITRON VIDEO s.r.l.

<http://www.bitronvideo.com>

e-mail : info@bitronvideo.it

Designed in Italy

Assembled in PRC