

ASL1800 Cyber Digital Locker Lock



The ASL1800 Cyber Digital Locker Lock is a quick retrofit for keyed cam locks on a wide range of lockers, cabinets and cupboards.

The keyless locks are easy to fit, taking just a few minutes to remove the existing cam lock and then making an additional top fixing for the new lock.

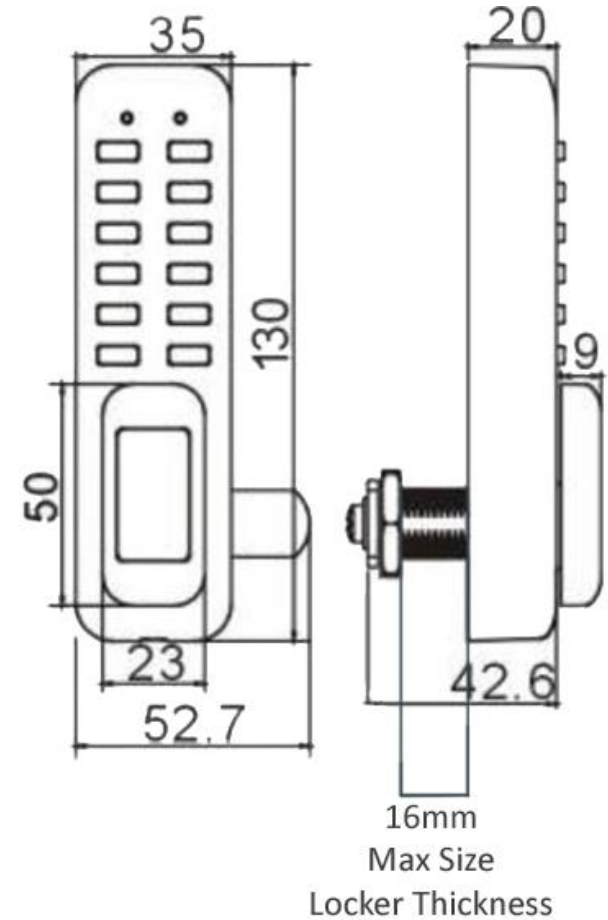
Functions:




Private Function

This is the most common function and used where the same code will be repeatedly used e.g. a pupil in a school or an employee with the same locker in the work place.

Public Function

The locker lock operates with a single user code. The guest enters a personal code with a 4~9 digit to lock the lock. The same code is entered to open the lock before being erased and ready for the next user. This function is used for short term, multi occupancy applications e.g. a locker in a gym or public changing rooms

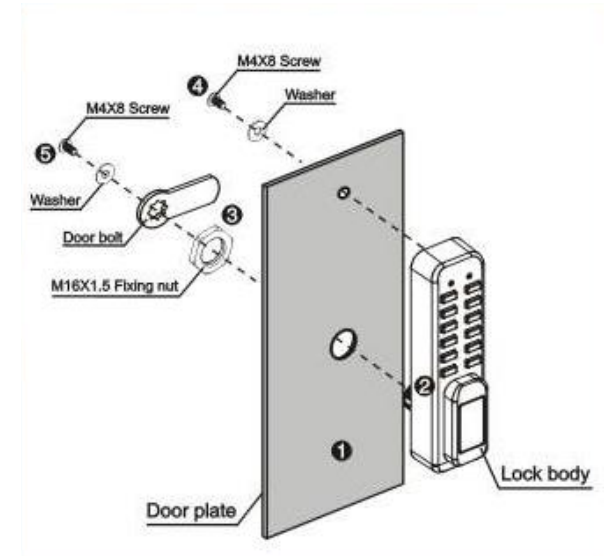


| All three cams are supplied as standard | | |
|---|--|--|
| Hook | Cranked | Straight |
|  |  |  |
| Max size from outside locker, to inside cam | | |
| 20mm | 27mm Inverse 12mm | 20mm |

| Code | Description |
|---------|-------------------|
| ASL1800 | Cyber Locker Lock |

ASL1800 Cyber Digital Locker Lock

| Technical Specification | |
|-------------------------|---|
| Power | 2 x 1.5 AAA Batteries |
| Operations | 10,000 Opening |
| Low Battery | When lock signals "Low Battery" there will be 100 additional openings |
| Memory | Non-volatile memory will be retained when changing the batteries |
| Battery Override | A battery case can be plug in external socket |
| Material | Zinc Alloy |
| Door Thickness | 0.6mm up to 15mm |
| Buttons | 12 individual square buttons |
| Functions | Private or Public |
| Fitting Options | New or retrofit |
| Finish | Silver |
| Accessories Available | Sync Kits, Override battery case |
| Codes | Cyber Digits has 4 code settings:- Master Code, Sub-Master Code, User Code and Technical Code |
| Unlocking Feature | Manual |



Sync-Kits

Sync-Kits are available for programming synchronization to copy the programming from one lock to the others on a site. The kit helps an employee to complete programming in mass in a workplace.

Kits are ordered separately

For further information contact:

Securefast plc
6, The Cedars Business Centre
Avon Road, Cannock
Staffordshire
WS11 1QJ



Call > +44 (0) 1704 502 801

Email > sales@securefast.co.uk

Visit > www.securefast.co.uk