

APX19 Standalone Mifare Proximity Reader



The APX19 is a compact, waterproof stand-alone programmable Mifare access control reader which can suit up to 1000 users.

The product is simple in design and the operation is highly reliable, with programming via the remote control handset or by simply using the add and delete card.

The reader offers a 2 amp lock relay and can control doors or gates with most types of electric locking from the Securefast range (additional relay needed if locking uses more than 2 Amps).

The unit can be powered from 9V to 24V DC and draws a current of 40mA.



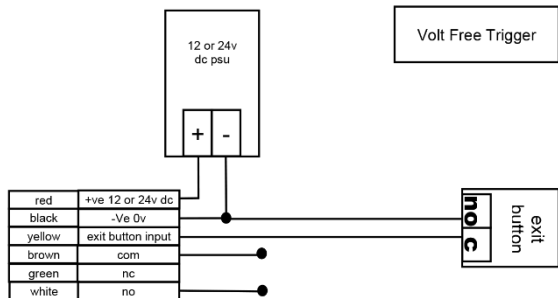
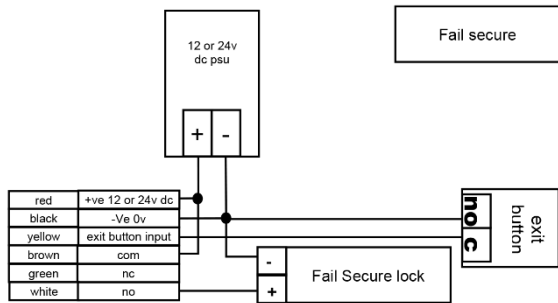
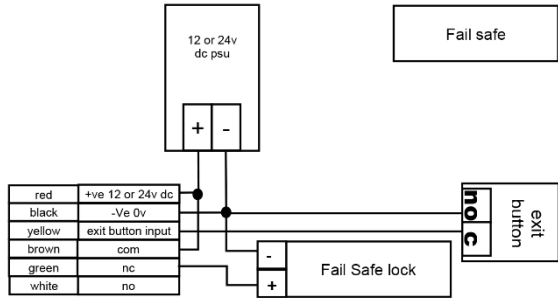
Features & Benefits

- Waterproof, conforms to IP66
- One relay, 1000 users, standalone
- Card type: 13.56MHz Mifare Card
- Working Temperature: -40°C ~ 60°C
- Pulse mode, toggle mode
- Built in LDR for anti tamper
- Card block enrolment
- Easy for programming by master cards and remote control
- Easy to install (6 wires only)

Stock Codes	
APX19	Standalone Mifare Reader
AMUI-F	Fobs
AMUI-C	Cards



APX19 Standalone Mifare Proximity Reader



Specifications	
Card User Capacity	1000
Operating Voltage	9~24V DC (< 40mA Idle Current)
Proximity Card Reader	Mifare
Radio Technology	13.56MHz
Read Range	3~6cm
Wiring Connections	Relay output, exit button
Relay	One (NO, NC, Common)
Adjustable Relay Output Time	0-99 Seconds (5 seconds default)
Lock Output Load	2 Amp Maximum
Environment	Meets IP66
Operating Temperature / Humidity	-40 °C ~ 60 °C / 20% RH ~ 98% RH
Physical	ABS Shell
Colour	Black
Dimensions	10.3L x 4.8W x 2.0H (cm)
Unit Weight	100g
Shipping Weight	150g

For further information contact:

Securefast plc
 6, The Cedars Business Centre
 Avon Road, Cannock
 Staffordshire
 WS11 1QJ



Call > +44 (0) 1704 502 801

Email > sales@securefast.co.uk

Visit > www.securefast.co.uk