

### AL990M High Security Electric Release



*The AL990M series electric strikes are high in security and designed for use with all access control systems. The strikes are suitable for use with hinged doors which require security control as part of a building management system. These strikes are flexible and can be changed from fail safe to fail secure with the simple adjustment of the controlling screw and are available in 12 or 24V DC. They offer a strong, dependable and long-lasting electric strike solution.*

Key features include, fail safe/fail secure changeable on site, high security with 1500lbf (680kgf/6672N) holding force, stainless steel locking pins, Low Current consumption – Max 280mA @12V DC, and are recommended for High traffic areas.

The AL990M offers triple monitoring of the Solenoid, Door position with a 1 amp NO/NC microswitch and lock with a 1 amp NO/NC microswitch in addition to 12 or 24V DC power selectable on site.

#### Features & Benefits

- Lock Sensor, Door Sensor & Keeper Sensor
- 1500lbf (680kgf/6672N) Holding Force
- CE marked and EMC tested
- Easy installation
- 12 or 24V DC on site selectable
- DC Fail Safe/Fail Secure selectable
- Dimensions – H 175 x W 44 x D 27mm
- Max Voltage & Current  
280mA / 12V DC  
140mA / 24 V DC
- Sensor contact rating  
1A Max 30V AC/DC

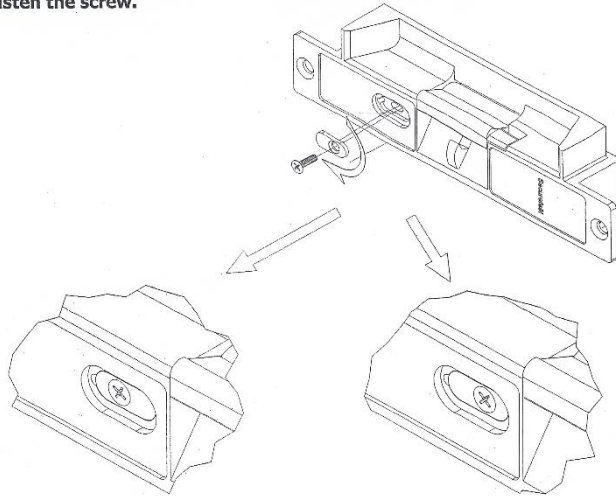
#### Power Terminals



### AL990M High Security Electric Release

#### Changing from Fail-Secure to Fail-Safe Mode

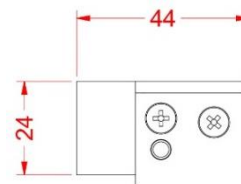
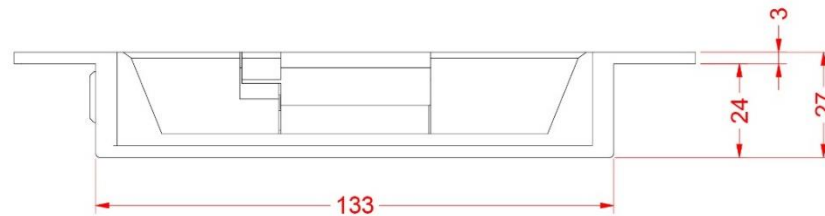
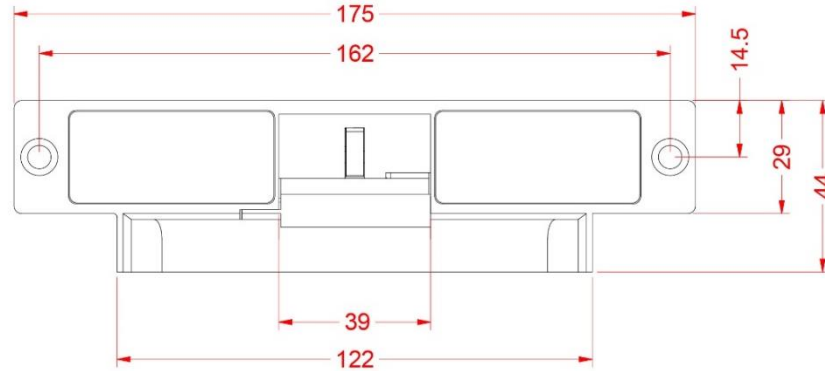
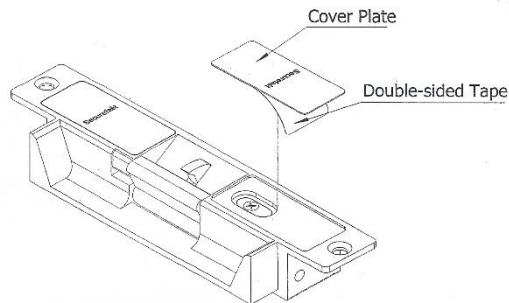
Loosen the screw as per the product diagram below. Rotate the set plate 180° and slide the plate until it is properly seated. Fasten the screw.



Fail-Safe Mode

Fail-Secure Mode

First, tear the double-sided tape, then put on the cover plate.



For further information contact:

**Securefast plc**  
 6, The Cedars Business Centre  
 Avon Road, Cannock  
 Staffordshire  
 WS11 1QJ



Call > +44 (0) 1704 502 801

Email > sales@securefast.co.uk

Visit > www.securefast.co.uk