

AL900 Series Electric Releases



The AL900 series electric releases are an ANSI style door release, complete with stainless steel short or long faceplates for use in metal or timber frame applications. The electric releases are designed to work with most leading brand mortice nightlatch locks.

The releases are available with two forms of monitoring, latch (AL900M) or latch with door position (AL900DM).

Stock Code	Description
AL900	Fail Locked/Unlocked Electric Release
AL900M	Fail Locked/Unlocked (Monitored) Electric Release
AL900DM	Fail Locked/Unlocked (Dual Monitored) Electric Release
SINAL900-1MM	Intumescent for FD30 & FD60 Fire Doors
AL900-EL10	Extension Lip (10mm)
AL900-EL25	Extension Lip (25mm)
AL900-EL50	Extension Lip (50mm)

Features & Benefits

- 1000lbs Holding Force (4448N / 434kgf)
- Dimensions – H201.5 x W32 x D33mm
- Easy replacement for most leading brand ANSI electric releases
- Performance tested to EN14846
- CE marked and EMC tested
- 12/24V AC/DC on site selectable
- AC Fail Secure only, selectable
- DC Fail Locked/Fail Unlocked selectable
- Long and short faceplates are included
- 10, 25 & 50mm extension lips available
- Supplied with 250mm of cable
- Easy installation

Certification

- Fire rated for use on 30min timber doors to EN 1634 opening inward and outward – Fire Assessment Report No WF 419607 by Warrington Fire
- Fire rated for use on 60 min timber doors to BS 476 (Report with GE Door Manufacturer)
- Certified to EN 14846:2008 - Test Report WIL 423640



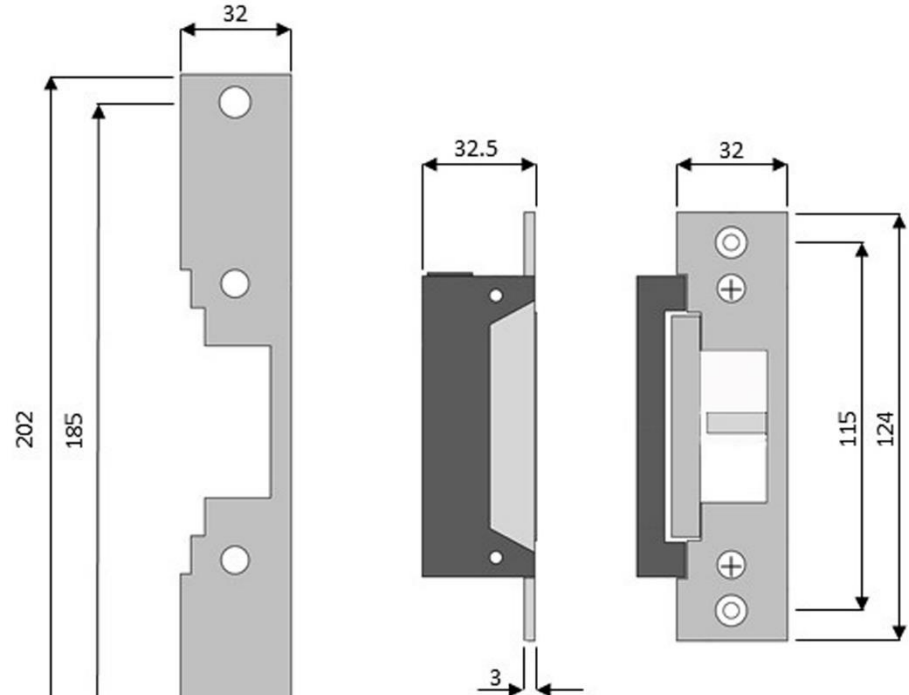
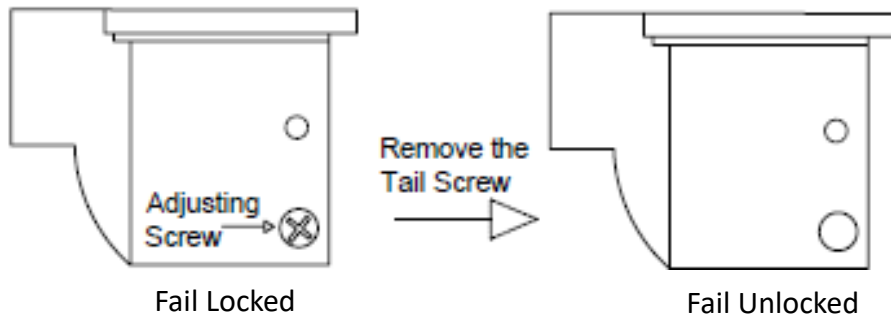
For fire rating please order intumescent pack (SINAL900-1MM.)

AL900 Series Electric Releases

Compatible Mortice Night latches			
Securefast	Alpro	Adams Rite	Assa
SEU511/2/3/4	A5245101/2/3/4	AAR4710/1/2/3/400	SA8761/50/70
SEU771	A5245701/2/3/4	AAR4750/1/2/3/400	
SEU1092.2			
SEU1094.2			
SM1230			
SLA520			

Changing from Fail Secure to Fail Safe

The electric releases can easily be changed from fail locked to fail unlocked with the simple removal of a screw.
The Default Setting is Fail locked.



For further information contact:

Securefast plc
6, The Cedars Business Centre
Avon Road, Cannock
Staffordshire
WS11 1QJ



Call > +44 (0) 1704 502 801

Email > sales@securefast.co.uk

Visit > www.securefast.co.uk