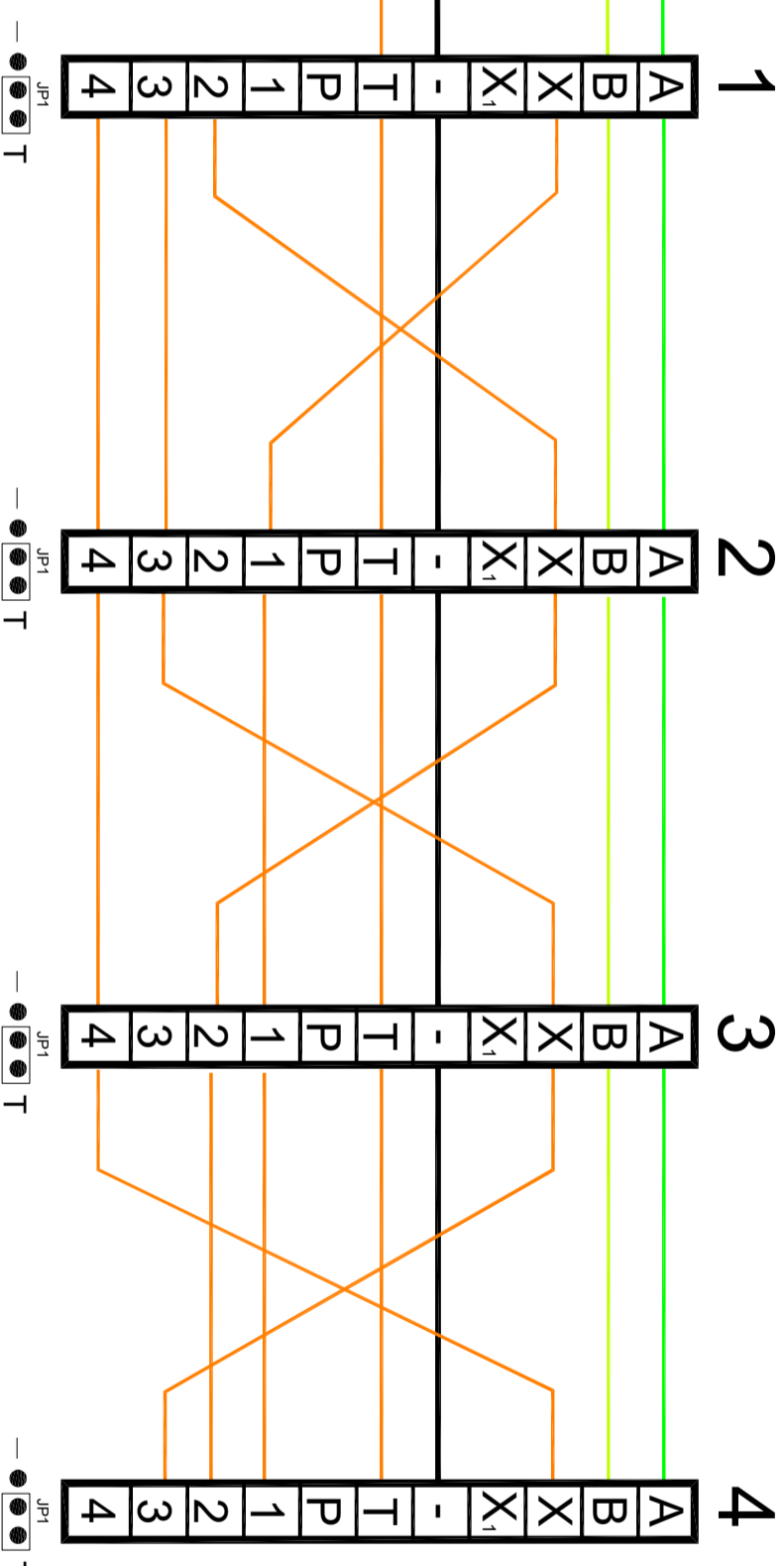


Art.3117

Art.3117

Art.3117

Art.3117



CONNECTION TO MAINS SAFETY & GUIDANCE NOTES:

The system **MUST** be installed in accordance with the current I.E.E. regulations (in particular I.E.E. wiring regulations BS7671) In particular Videx recommends:

- Connecting the power supplies through an **all-pole circuit breaker** which shall have a contact separation of at least 3mm in each pole and shall disconnect all poles simultaneously.
- That the **all-pole circuit breaker** shall be placed in such a way to allow for easy access and that the switch shall remain readily operable.
- Ensuring that the mains supply (voltage, frequency and phase) complies with the product rating label.
- Isolating the mains before carrying out any product installation and maintenance work on the system.

CABLING NOTES:

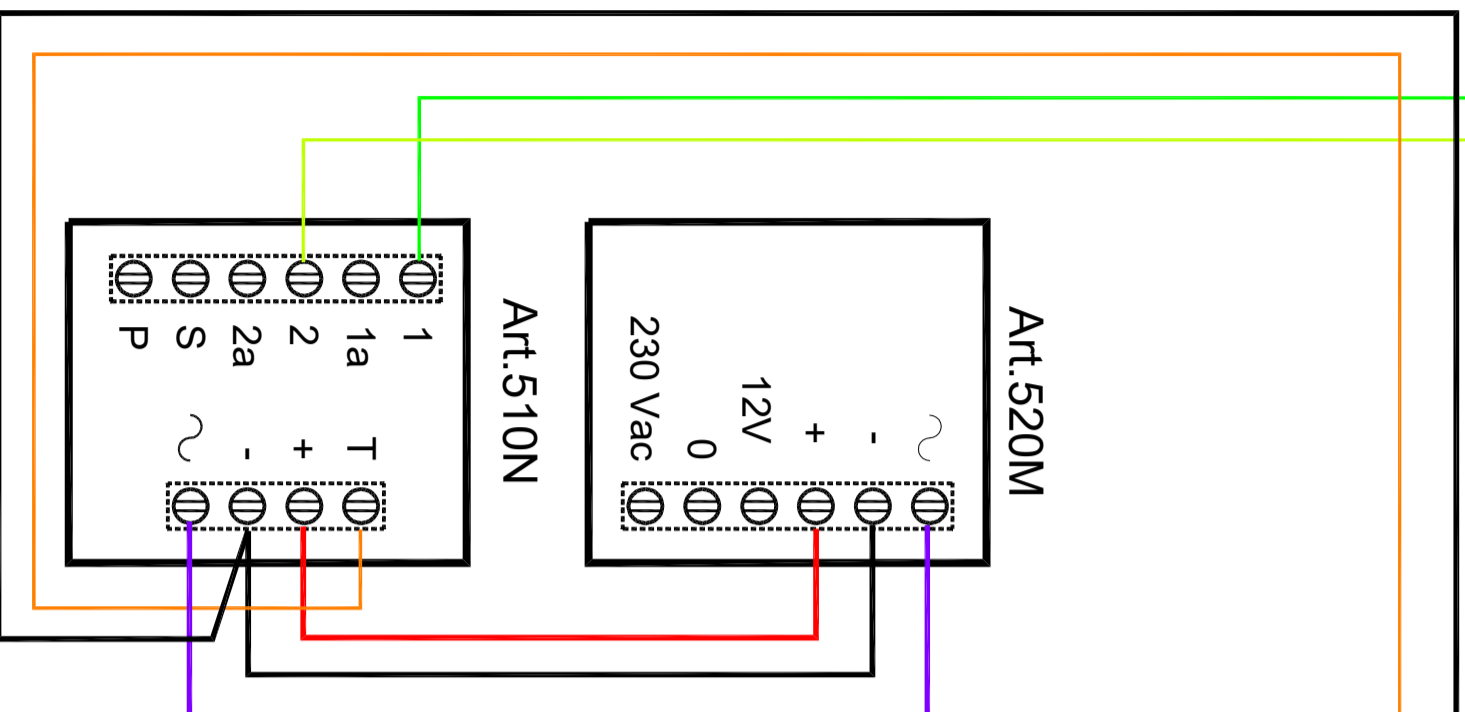
All cable types recommended are based on cabling information supplied by customer.

IMPORTANT NOTE:

If using CW1308, CW1128 or CW1128B cable before installing please ensure that is a twisted pair and that the overall cable resistance is 10 Ohms or less per core at 100m of cable. If in doubt please consult the cable supplier or manufacturer.

Please **DO NOT** use Copper Coated Steel (CCS) or Copper Clad Aluminium (CCA) cable.

All cable information shown is for Videx **products only** and are the minimum cable requirements. It is recommended that the cable is installed by a competent and qualified electrician and/or security installation engineer. Videx is **NOT** responsible for the installation of insufficient or inferior cable.



VIDEX VIDEX SECURITY LTD

TECHNICAL HELP: TEL: 0191 224 3174

FAX: 0191 224 4938

EMAIL: tech@videxuk.com

DATE: 06/12/07

INITIAL: PH

REF: 4X3117510520M

DESCRIPTION: 4 WAY INTERCOMMUNICATING AUDIO