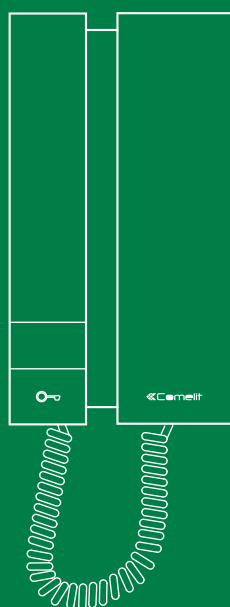


EN

TECHNICAL
MANUAL



Door-entry phone Art. 2708W

 **Comelit**[®]
Passion. Technology. Design.

Warning

Intended use

This Comelit product was designed for use in the creation of audio and video communication systems in residential, commercial or industrial settings and in public buildings or buildings used by the public.

Installation

All activities connected to the installation of Comelit products must be carried out by qualified technical personnel, with careful observation of the indications provided in the Manuals / Instruction sheets supplied with those products.

Wires

Cut off the power supply before carrying out any maintenance procedures.

Use wires with a cross-section suited to the distances involved, observing the instructions provided in the system manual.

We advise against running the system wires through the same duct as the power cables (230V or higher).

Safe usage

To ensure Comelit products are used safely:

- carefully observe the indications provided in the Manuals / Instruction sheets
- make sure the system created using Comelit products has not been tampered with / damaged.

Maintenance

Comelit products do not require maintenance aside from routine cleaning, which should be carried out in accordance with the indications provided in the Manuals / Instruction sheets.

Any repair work must be carried out

- for the products themselves, exclusively by **Comelit Group S.p.A.**,
- for systems, by qualified technical personnel.

Disclaimer

Comelit Group S.p.A. does not assume any responsibility for

- any usage other than the intended use
- non-observance of the indications and warnings contained in this Manual / Instruction sheet.

Comelit Group S.p.A. nonetheless reserves the right to change the information provided in this Manual / Instruction sheet at any time and without prior notice.

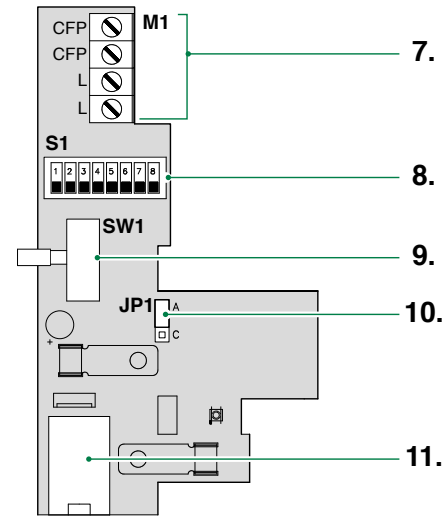
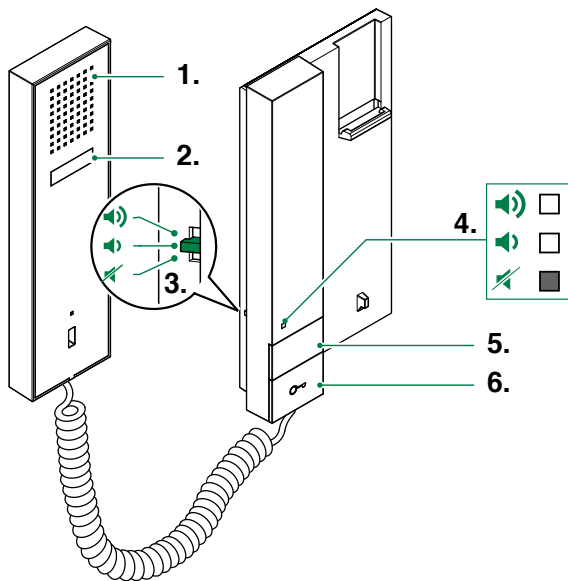
Table of contents

Warning	2
Description.....	3
Technical characteristics	4
Installation.....	5
Connections.....	6
Connection to the door entry riser and the floor door call buttona...	6
Programming	6
System performance and layouts	6

Description


Art. **2708W** is a door-entry phone complete with 1 key button, 1 P1 button and a 3-position ringtone / Privacy service selector, which can be used in SB1 systems.

Dimensions 105×190×28 mm.



1. Loudspeaker.

2. Audio hook.

 **Do not press and hold the audio hook while the handset is lifted.**

3. 3-position ringtone/Privacy service selector:

High position: Maximum ringtone volume.

Middle position: Medium ringtone volume.

Low position: Privacy function activation (privacy service means exclusion of the call ringtone from the external unit and switchboard).

4. Red indicator - Privacy enabled.

5. **P1** button for switchboard call / generic actuator.

6. Key button.

7. Terminal block **M1**:

CFP CFP floor door call input

LL LL bus line connection

8. Dip switch for setting user code (See [Addressing table](#)).

9. 3-position selector for Call tone/Privacy service.

10. **JP1** jumper for selecting the Generic actuator/ Switchboard call function of button P1.



A Generic Actuator



C Switchboard

11. Handset connector.

Technical characteristics

MAIN FEATURES

Audio system	Yes
Wall-mounted	Yes
Desk base-mounted	Yes
Product colour	White
Total buttons	2

FUNCTIONS

Actuator control function	Yes
Switchboard call function	Yes
Privacy function	Yes
Floor door call function	Yes
Electronic bell	Yes
Key button function	Yes

SETTINGS

Ringtone volume control	Yes
--------------------------------	-----

GENERAL DATA

Product height (mm)	190
Product width (mm)	103
Product depth (mm)	30

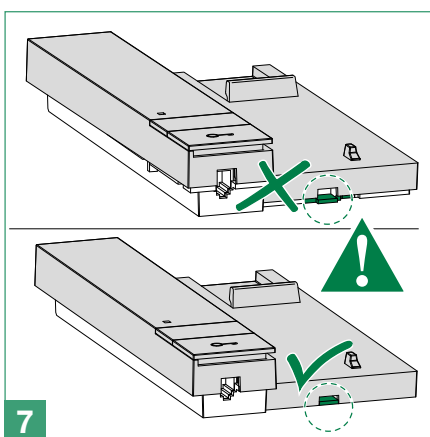
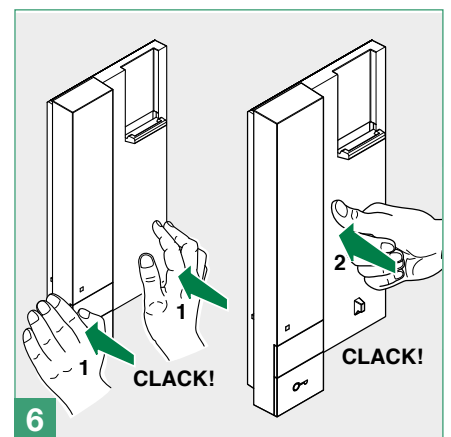
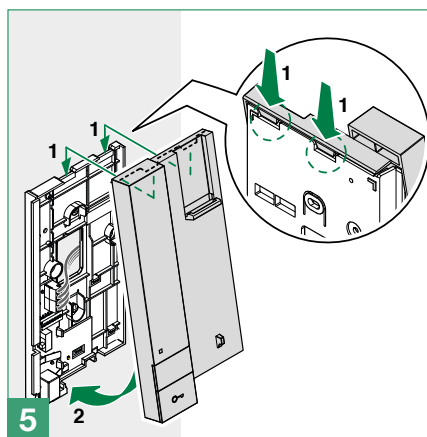
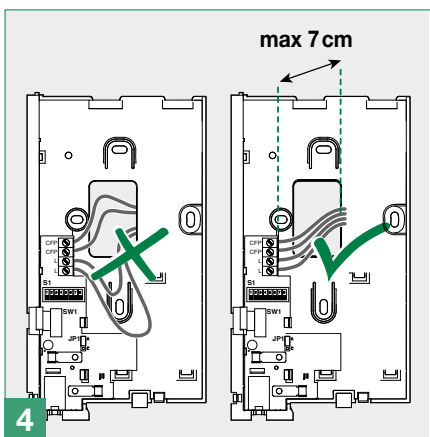
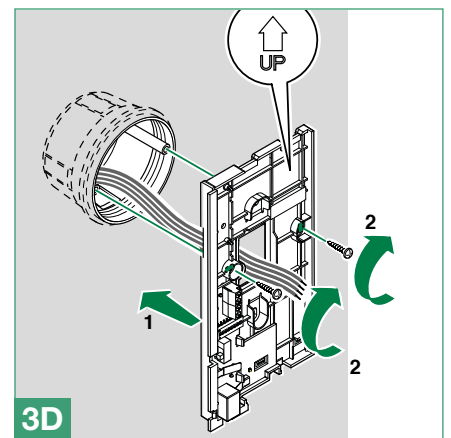
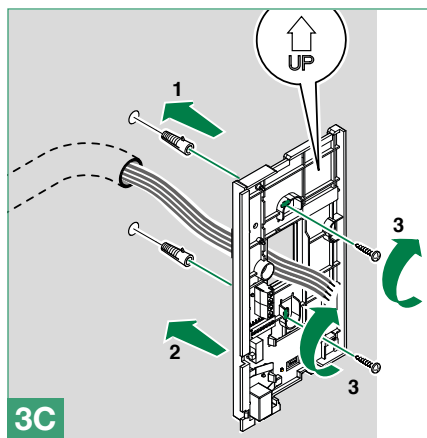
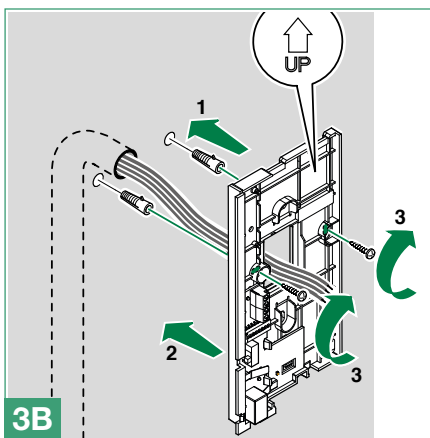
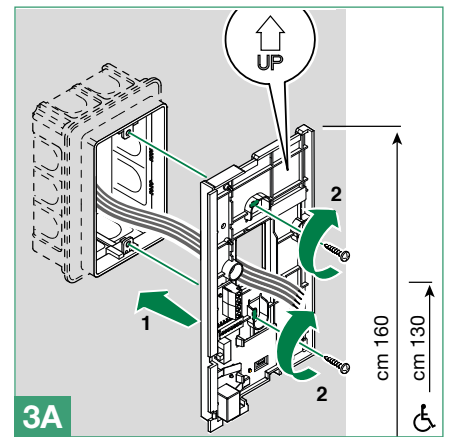
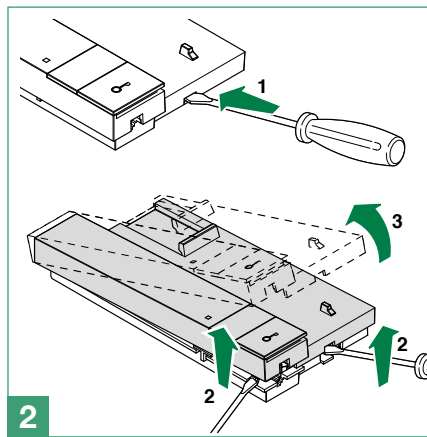
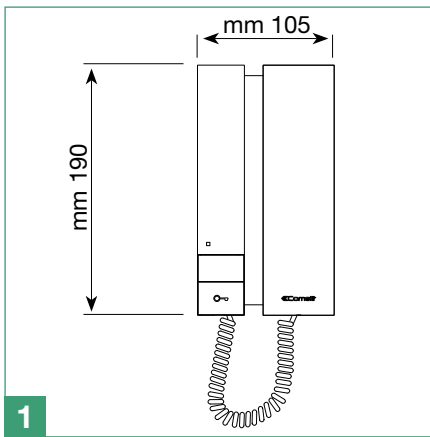
COMPATIBILITY

Simplebus 1 audio system	Yes
---------------------------------	-----

TECHNICAL CHARACTERISTICS

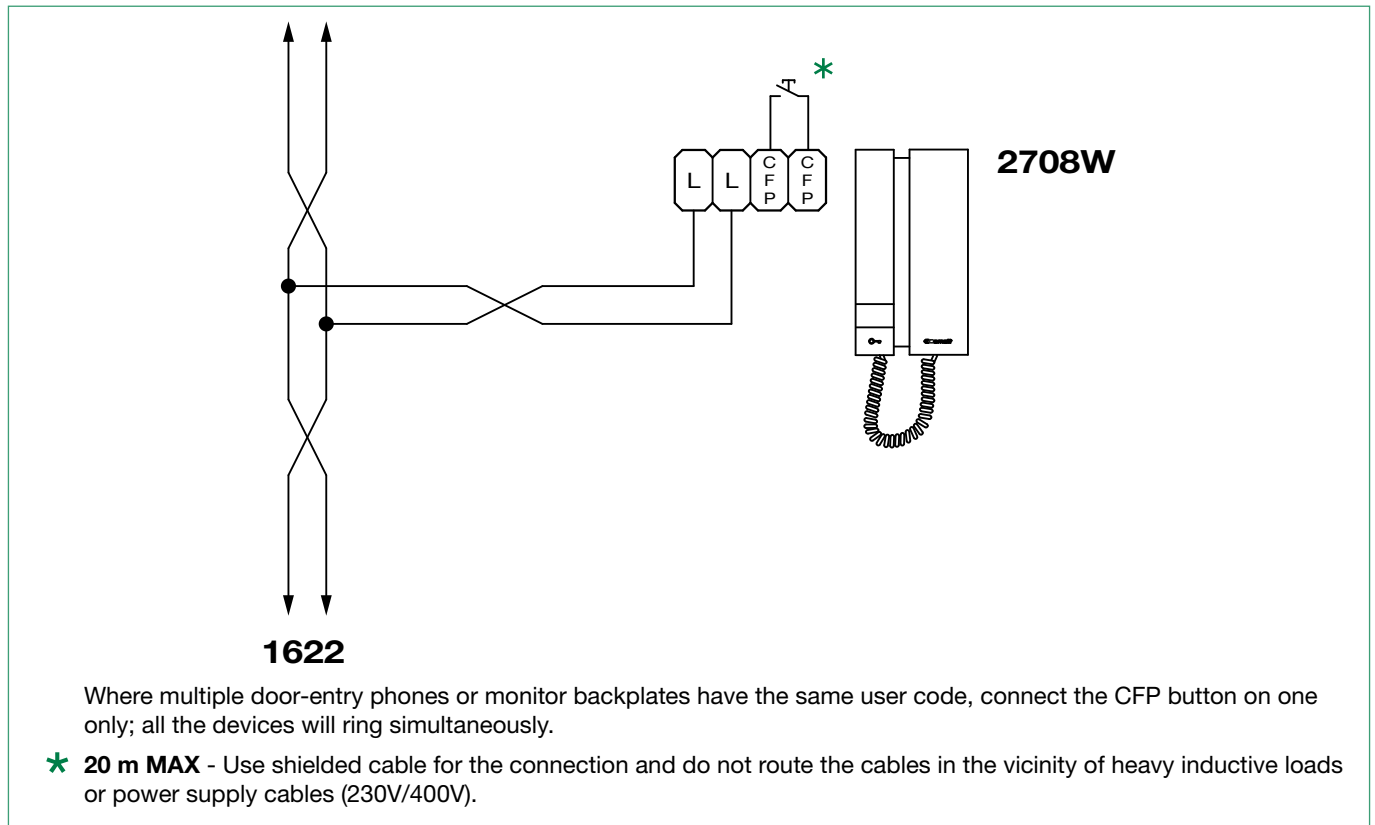
Power supply voltage	20
Absorption in standby (mA)	0.7
In called absorption (mA)	23
In communication absorption (mA)	22
Operating temperature (°C)	-5 ÷ 40
Product weight (g)	260
Clamps	L,L,CFP,CFP

Installation



Connections

Connection to the door entry riser and the floor door call button



Programming

- Each door-entry phone in the system is identified by means of its own code. This code must be set using the Dip switch on the phone card.
- The user code must be set according to the corresponding information provided in the programming table (see: [Addressing table](#)).
- Coding can take place at any time, even without a power supply.

System performance and layouts

For further information of system performance and to view installation layouts, click on the system type that best meets your requirements:

- [SB1 audio system](#) for the creation of audio systems for *residential complexes*.

CERTIFIED MANAGEMENT SYSTEMS



www.comelitgroup.com

Via Don Arrigoni, 5 - 24020 Rovetta (BG) - Italy

