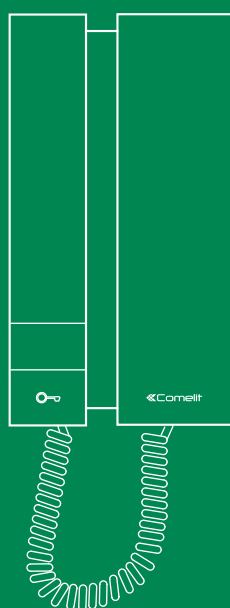


EN

TECHNICAL
MANUAL



Door-entry phone art. 2703U

 **Comelit**[®]
Passion. Technology. Design.

Warning

Intended use

This Comelit product was designed for use in the creation of audio and video communication systems in residential, commercial or industrial settings and in public buildings or buildings used by the public.

Installation

All activities connected to the installation of Comelit products must be carried out by qualified technical personnel, with careful observation of the indications provided in the manuals / instruction sheets supplied with those products.

Wires

Use wires with a cross-section suited to the distances involved, observing the instructions provided in the system manual.

We advise against running the system wires through the same duct as the power cables (230V or higher).

Safe usage

To ensure Comelit products are used safely:

- carefully observe the indications provided in the manuals / instruction sheets
- make sure the system created using Comelit products has not been tampered with / damaged.

Maintenance

Comelit products do not require maintenance aside from routine cleaning, which should be carried out in accordance with the indications provided in the manuals / instruction sheets.

Any repair work must be carried out

- for the products themselves, exclusively by **Comelit Group S.p.A.**,
- for systems, by qualified technical personnel.

Disclaimer

Comelit Group S.p.A. does not assume any responsibility for

- any usage other than the intended use
- non-observance of the indications and warnings contained in this manual / instruction sheet.

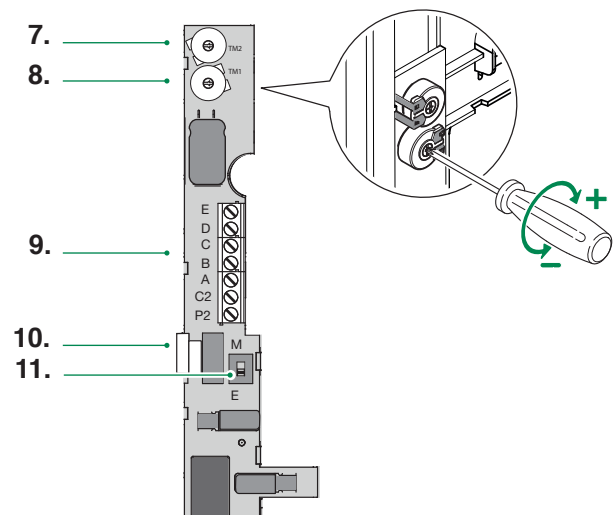
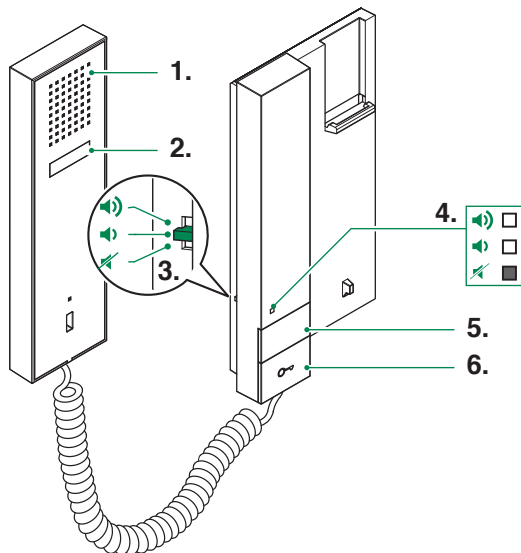
Comelit Group S.p.A. nonetheless reserves the right to change the information provided in this manual / instruction sheet at any time and without prior notice

Description

Universal door-entry phone, compatible with most of the door-entry phones produced by leading international manufacturers. Ideal in door-entry phone system replacements and repairs.

Fitted with door-open push button and an extra button for additional services with independent common. Electronic ringtone. 3 position ringtone / *Privacy* service selector, activation of the *Privacy* function is shown by a red indicator appearing. Can be used for systems with positive common or systems with negative common.

Dimensions: 103 x 190 x 30 mm



1. Loudspeaker

2. Audio hook

3. Three position selector:

High position: Maximum ringtone volume

Middle position: Medium ringtone volume

Low position: *Privacy* function activation (*Privacy* service means exclusion of the call ringtone from the external unit and switchboard)

4. Red mark: *Privacy* enabled

5. P1 (See "Use for various purposes of button P1")

6. Key button

7. **TM2** Loudspeaker volume control (Do not change)

8. **TM1** Microphone volume control

9. Terminal block:

E Loudspeaker

D Call

C Common

B Condenser microphone

A Lock release

C2 P2 Button P1 C. NO. 24V 100mA

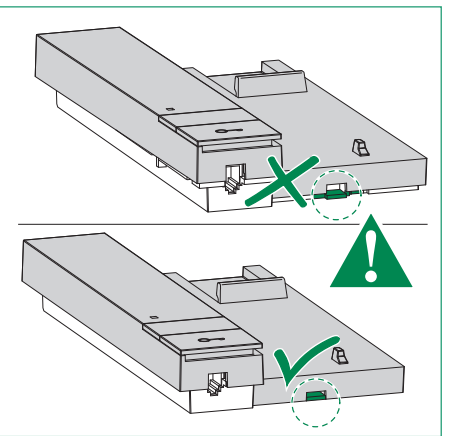
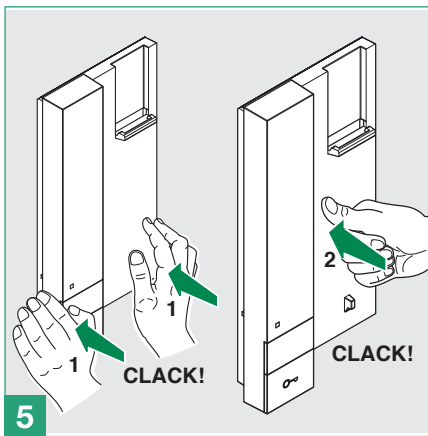
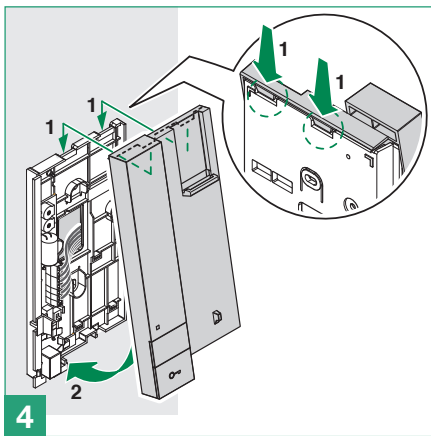
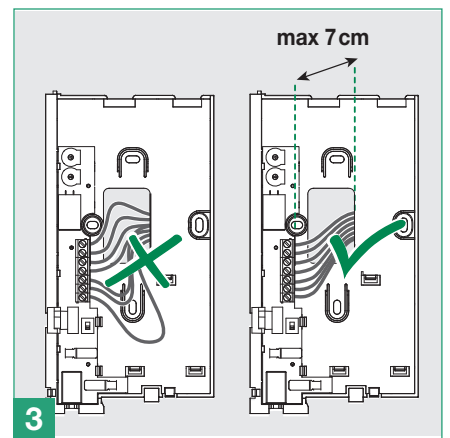
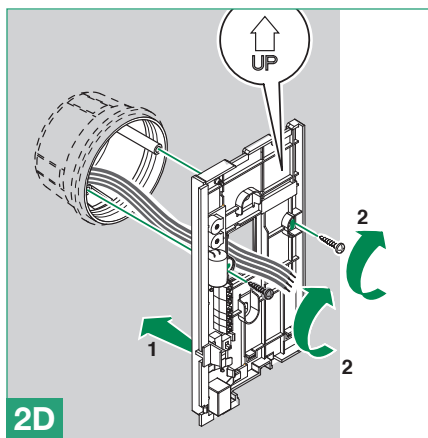
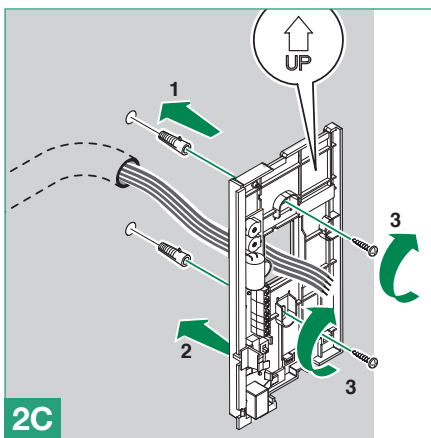
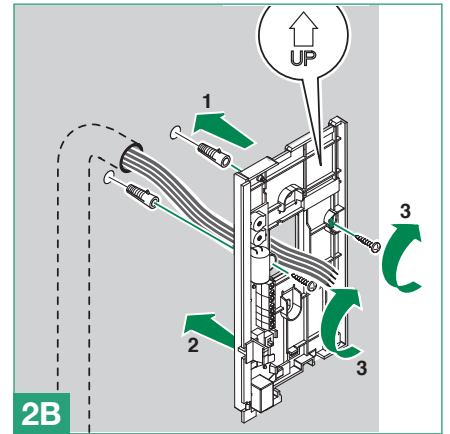
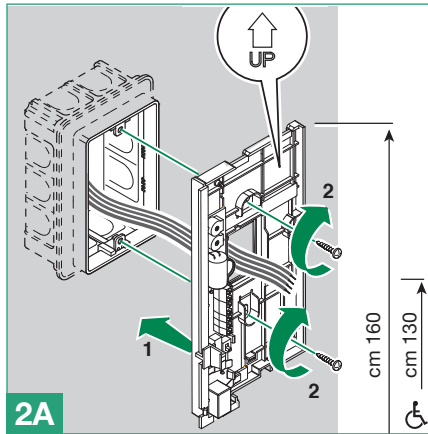
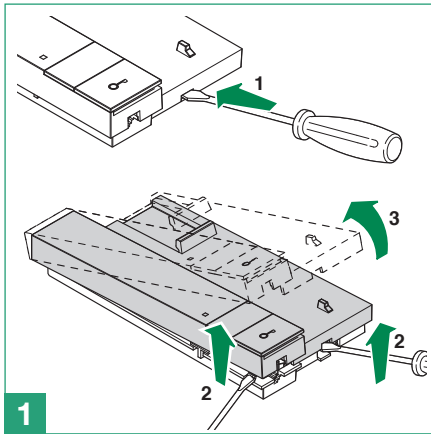
10. Ringtone / *Privacy* service selector

11. Ringtone selector:

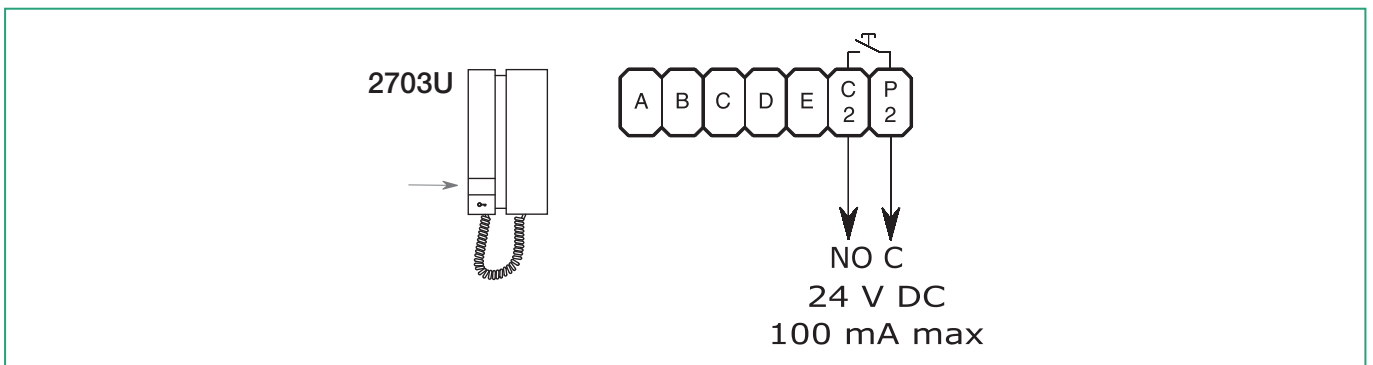
M Ringtone type A (*Default*)

E Ringtone type B

Installation



Use for various purposes of button P1



Compatibility table

| COMELIT 2703U | A | B | C | D | E | E M |
|----------------------------------|----|-----|-------|-----|------|--------|
| ACET | 5 | 10 | 2 | 9 | 7 | M |
| ALCAD TEL-001 - TEL002 | 1 | 3 | 2 | 5 | 4 | E |
| AMPER | D | A | C | E | B | M |
| ATEA | 2 | 4 | 3 | 5 | 1 | M |
| AUTA | 10 | 3 | 4 | 12 | 7 | M |
| AUTA TF92 | 10 | 3 | 4 | 12 | 7 | E |
| AUTELCO | P5 | a | 1 | 2 | b | M |
| BELL SYSTEM TELEPHONE | Z | R | 0 | I | T | M |
| BITRON | 9 | 2 | 6 | C7 | 1 | E |
| BOGEN | T | 1 | 3 | 6 | 2 | M |
| BPT | 9 | 9 | 5 | 7 | 8 | E |
| BPT | 2 | 1 | 4 | 3 | 5 | M |
| CENTRAMATIC | 4 | 2 | 1 | 5 | 3 | M |
| CITESA | 1 | 4 | C | B | 3 | M |
| CITVOX | 5 | 10 | 9 | T | 7 | M |
| COFREL (LT TERRANEO) | T1 | 1 | 3 | 6 | 2 | M |
| COFREL (LT TERRANEO) | 6 | 4 | 1 | 5 | 3 | E |
| COFREL 600 /603 (LT TERRANEO) | T | 1 | 3 | 6 | 2 | M |
| COMELIT VOX 2100 /2102 /2103 | P1 | 3 | 4 | 1 | 2 | M |
| COMELIT VOX 2101 /2104 | P1 | 3 | 4 | S | 2 | E |
| COMELIT CIAO 2300 /2301 /2302 | P1 | 3 | 4 | S | 2 | E |
| COMELIT CIAO 2304 | P1 | 3 | 4 | 1 | 2 | M |
| COMELIT OKAY 2402W /2404W /2405W | P1 | 3 | 4 | S | 2 | E |
| COMELIT STYLE 2602 /2602E | P1 | 3 | 4 | S | 2 | E |
| COMELIT STYLE 2603U | A | B | C | D | E | E/M |
| ELBEX | | MIC | LOW | + | SPEC | M |
| ELVOX | 2 | 6 | 9 | + | 4 | M |
| ELVOX | 7 | 2 | 4 | 6 | 1 | M |
| ELVOX 6200 | 7 | 2 | 3 | 6E | 1 | E |
| ENTRA 97 | 1 | 2 | 3 | 5 | 6 | M |
| ENTRYPHONE | 3 | P | F,B,G | 4 | L | M |
| ERICSSON DEPN 40101 | 5 | 3 | 2 | 1 | 4 | M |
| ERICSSON DEPN 60121 | 3 | 5 | 1 | 4 | 7 | M |
| FARFISA | 5 | 1 | 3 | 6 | 2 | M |
| FERMAX GONDOLA | 4 | 1 | 3 | V/5 | 2 | M |
| FERMAX REKTO TF-4 | P | A | C | E | B | M |
| FRINGE | 2 | 3 | 1 | 4,* | 6 | E/M |

| COMELIT 2703U | A | B | C | D | E | E M |
|-------------------------------|-----|----|-----|------|----|--------|
| GAME | P | 2 | 3 | Z | 1 | M |
| GIRO | 2 | 3 | 1 | 4 | 6 | M |
| GOLMAR | X | M | A | N | S | E/M |
| GOLMAR | C2 | 5 | 3 | 7 | 10 | E |
| GOLMAR | 11 | 5 | 3 | 12 | 4 | M |
| GOLMAR T-600 | T | 1 | 3 | 6 | 2 | M |
| GOLAMR T810B | P1 | 5 | 3 | 7 | 10 | M |
| GOLAMR T-2800 | 4 | 5 | 3 | 7 | 10 | M |
| LT TERRANEO (COFREL) | T1 | 1 | 3 | 6 | 2 | M |
| LT TERRANEO (COFREL) | 6 | 4 | 1 | 5 | 3 | E |
| LT TERRANEO (COFREL) 600 /603 | T | 1 | 3 | 6 | 2 | M |
| MM DI MARCHESI | 1 | 3 | 2 | 5 | 4 | M |
| OSTELVI | 9 | 2 | 6 | 7 | 1 | M |
| PORMAT | 4 | 3 | 2 | V | 1 | M |
| RIPOLLES | 3 | 1 | 8 | 4 | 2 | M |
| RITTO ELEGANT 40518 | 11 | 12 | 13 | 15 | 14 | E |
| SAFNAT | 4 | 1 | 2 | V | 3 | M |
| SEITI | 5 | 1 | 3 | 6 | 2 | M |
| SIEDLE HT611-01 | I | 12 | 9/C | 7 | 11 | M |
| SPRINT | "/" | 1 | 3 | 6 | 2 | M |
| STR NH200 | 1 | M | 0 | T | S | M |
| STR NH205 | 1 | M | 0 | T | S | E |
| TAGRA | 8 | 2 | 6 | 4 | 1 | M |
| TEGUI GL | 3 | 4 | 2 | 1 | 5 | M |
| TEGUI HORIZON | 3 | 4 | 2 | 1 | 5 | E/M |
| TELEVES | 4 | 2 | 3 | T | 1 | M |
| TESLA DDZ 85 | 1 | 2 | 3 | 4 | 6 | M |
| TESLA DDZ 93 | Z | 2 | 3 | 4 | 6 | M |
| TUNE | 8 | 2 | 6 | 4 | 1 | M |
| URMET 730/1 | 9 | 2 | 6 | 7 | 1 | M |
| URMET DOMUS 1131-1132-1133 | 9 | 2 | 6 | CA | 1 | E |
| URMET DOMUS 1130 | 9 | 2 | 10 | 7 | 1 | M |
| URMET DOMUS 1134 | 9 | 2 | 6 | CA | 1 | E |
| VIDEX | 5 | 1 | 3 | 4 | 2 | E |
| VIDEX | 5 | 1 | 7 | 6 | 2 | M |
| YUS PHONE | EL | T | - | B/PT | R | M |

CERTIFIED MANAGEMENT SYSTEMS



www.comelitgroup.com

Via Don Arrigoni, 5 - 24020 Rovetta (BG) - Italy

 **Comelit**[®]
Passion. Technology. Design.